



Underscore®
 59-3/4" x 35-3/4" drop-in bath with Bask® heated
 surface
K-5713-W1

Features

- Bask® heated surface creates spa-like relaxation with soothing warmth on your back, shoulders, and neck
- Three heat settings allow you to customize the surface temperature
- Integral lumbar support
- Oval basin creates a spacious bathing experience
- Slotted overflow allows for deep soaking

Material

- Acrylic

Installation

- Requires K-7271 or K-7272 Clearflo slotted overflow bath drain (sold separately)
- Center drain
- Drop-in or undermount

Required Products/Accessories

K-7271 Brass Slotted Overflow Bath Drain

or

K-7272 PVC Slotted Overflow Bath Drain

Recommended Products/Accessories

- K-814 Under-Mount Installation Kit
- K-23726 Drain treatment
- K-23732 Tub & shower cleaner
- K-31797 Slotted overflow bath drain kit
- K-31795 Slotted overflow above-the-floor bath drain kit



Codes/Standards





- CSA B45.5/IAPMO Z124
- ASTM E162
- ASTM E662
- UL 1795
- CSA C22.2 No. 218.2
- IAPMO Certification
- cUL Listed
- UL Listed

KOHLER® Plastic Baths and Receptors Lifetime Limited Warranty
KOHLER® Hydrotherapy Components Five-Year Limited Warranty

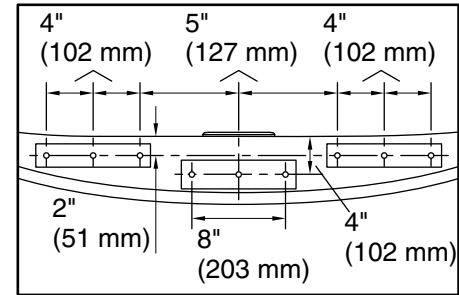
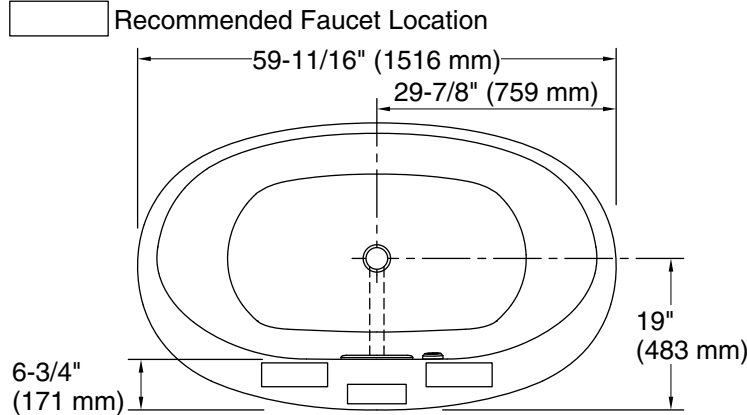
See website for detailed warranty information.

Available Colors/Finishes

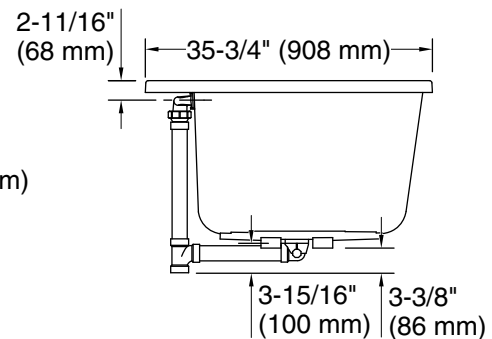
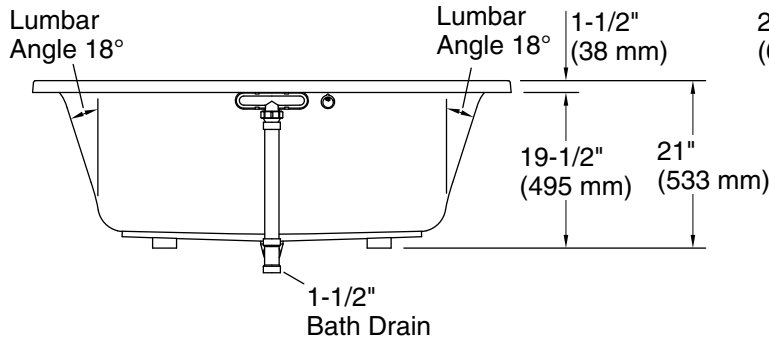
Color tiles intended for reference only.

Color	Code	Description
	0	White
	96	Biscuit
	95	Ice™ Grey
	7	Black Black™

No change in measurements if connected with drain illustrated. (K-7272)



Recommended Faucet Hole Location



Required Electrical Service

One circuit required, protected with Class A Ground-Fault Circuit-Interrupter (GFCI). Outside North America, this device may be known as a Residual Current Device (RCD).

Heated Surface: 120 V, 15 A, 60 Hz

Technical Information

All product dimensions are nominal.

Drain location:	Center
Basin area, bottom:	43" x 25-5/8" (1093 mm x 651 mm)
Basin area, top:	55-9/16" x 28-3/8" (1411 mm x 720 mm)
Weight:	91 lbs (41.3 kg)
Minimum floor load:	49.3 lbs/ft ² (240.7 kg/m ²)
Water depth:	16-5/16" (415 mm)
Water capacity:	72.017 gal (272.6 L)
Template:	Drop-in, 1268438-7, required, included
Electrical component rating:	Heated Surface: 120 V, 1.1 A, 60 Hz, 65 W

Notes

Measure your actual product for rough-in details.

Install this product according to the installation instructions.

The hot water supply should be 70% of the capacity of the bath or greater. Installations will vary.

Kit is required for under-mount installations (sold separately).

If installing a rim-mount faucet, make sure there is no interference above or below the deck before drilling any holes.