



Underscore®

65-1/2" x 35-3/4" drop-in VibrAcoustic® bath with
Heated BubbleMassage™
K-5716-GHVB

Features

- 122 airjets release thousands of heated bubbles that surround, support, and massage the body
- Variable-speed blower lets you adjust massage intensity to 18 levels
- Built-in heater
- Automatic and manual purge cycles remove residual water from air channels after use
- 60-minute automatic shutoff timer
- Six concealed speakers send sound waves through the water to gently massage the body
- Six original instrumental compositions offer different levels of relaxation
- Fully-adjustable volume above and below the water
- Customize your experience with the high-resolution color touch screen
- Includes 25' of wiring and amplifier
- Slotted overflow allows for deep soaking
- Oval basin creates a spacious bathing experience
- Spacious design accommodates up to two bathers
- Wide ledge on one side is ideal for deck-mount faucet and/or handshower
- Integral lumbar support
- Keypad control
- Textured bottom surface
- Syncs with devices enabled with BLUETOOTH® wireless technology including smartphones, MP3 players, tablets, and laptops located up to 33 feet (10 meters) away

Material

- Acrylic

Technology

- Heated BubbleMassage™ technology warms and humidifies air before it enters the bath
- VibrAcoustic calms and soothes with sound vibration technology
- VibrAcoustic system functions as a stereo system when bath is not in use

Installation

- Drop-in or undermount
- Center drain
- 120 V electrical requirement allows for easy installation with standard outlet
- Requires three dedicated circuits

Required Products/Accessories

1-800-4KOHLER (1-800-456-4537)

Kohler Co. reserves the right to make revisions without notice to product specifications.

For the most current Specification Sheet, go to www.kohler.com USA or www.kohler.ca Canada

8-13-2024 20:33 - US/CA



Codes/Standards

ASME A112.19.7/CSA B45.10

CSA B45.5/IAPMO Z124

ASTM E162

ASTM E662

UL 1795

CSA C22.2 No. 218.2

IAPMO Certification

cUL Listed

UL Listed

KOHLER® Plastic Baths and Shower Bases Lifetime Limited Warranty KOHLER® Hydrotherapy Components Five-Year Limited Warranty

See website for detailed warranty information.

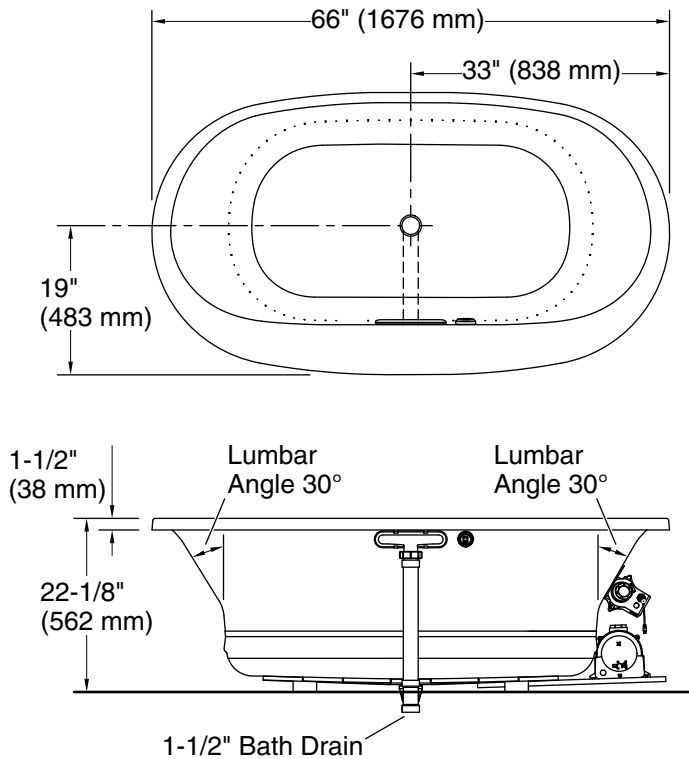
The BLUETOOTH® word mark and logos are registered trademarks owned by Bluetooth SIG, Inc. and any use of such marks by Kohler Co. is under license. Other trademarks and trade names are those of their respective owners.

THE BOLD LOOK
OF **KOHLER**®

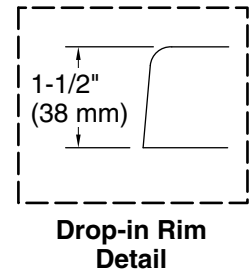


Underscore®

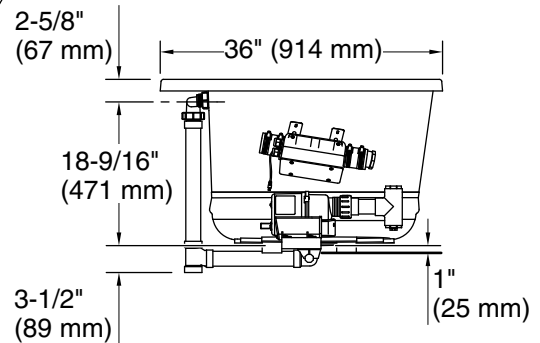
65-1/2" x 35-3/4" drop-in VibrAcoustic® bath with
Heated BubbleMassage™
K-5716-GHVB



No change in measurements if connected with drain illustrated. (K-7272)



Blower Motor Access
20" (508 mm) W x 15" (381 mm) H Min



Required Electrical Service

Three dedicated circuits required, protected with Class A Ground-Fault Circuit-Interrupter (GFCI). Outside North America, this device may be known as a Residual Current Device (RCD).

- Blower: 120 V, 15 A, 60 Hz
- Air bath: 120 V, 15 A, 60 Hz
- Amplifier: 120 V, 60 Hz

Technical Information

All product dimensions are nominal.

- Drain location: Center
- Basin area, bottom: 47" x 26-1/4" (1193 mm x 666 mm)
- Basin area, top: 61-3/16" x 28-3/8" (1554 mm x 721 mm)
- Weight: 120 lbs (54.4 kg)
- Minimum floor load: 53.6 lbs/ft² (261.7 kg/m²)
- Water depth: 17-9/16" (446 mm)
- Water capacity: 85.5 gal (323.7 L)
- Template: Drop-in, 1268439-7, required, included
- Electrical component rating: Blower: 120 V, 10 A, 60 Hz
Air bath: 120 V, 5 A, 60 Hz
Amplifier: 120 V, 1.1 A, 60 Hz

Notes

Measure your actual product for rough-in details.

Install this product according to the installation instructions.

The hot water supply should be 70% of the capacity of the bath or greater. Installations will vary.

IMPORTANT! Due to BLUETOOTH signal overlap, installations of multiple baths within 50 ft (15.2 m) of each other will require special order product. Please contact your dealer, showroom, or sales representative for ordering assistance.

1-800-4KOHLER (1-800-456-4537)

Kohler Co. reserves the right to make revisions without notice to product specifications.

For the most current Specification Sheet, go to www.kohler.com USA or www.kohler.ca Canada

8-13-2024 20:33 - US/CA

