



Underscore®
 71-1/2" x 41-1/2" drop-in bath with Bask® heated
 surface
K-5717-W1

Features

- Bask® heated surface creates spa-like relaxation with soothing warmth on your back, shoulders, and neck
- Three heat settings allow you to customize the surface temperature
- Integral lumbar support
- Oval basin creates a spacious bathing experience
- Slotted overflow allows for deep soaking

Material

- Acrylic

Installation

- Requires K-7271 or K-7272 Clearflo slotted overflow bath drain (sold separately)
- Center drain
- Drop-in or undermount

Required Products/Accessories

K-7271 Brass Slotted Overflow Bath Drain

or

K-7272 PVC Slotted Overflow Bath Drain

Recommended Products/Accessories

- K-883 Under-Mount Installation Kit
- K-886 Under-Mount Installation Kit
- K-23726 Drain treatment
- K-23732 Tub & shower cleaner



Codes/Standards





- CSA B45.5/IAPMO Z124
- ASTM E162
- ASTM E662
- UL 1795
- CSA C22.2 No. 218.2
- IAPMO Certification
- cUL Listed
- UL Listed

KOHLER® Plastic Baths and Receptors Lifetime Limited Warranty
KOHLER® Hydrotherapy Components Five-Year Limited Warranty

See website for detailed warranty information.

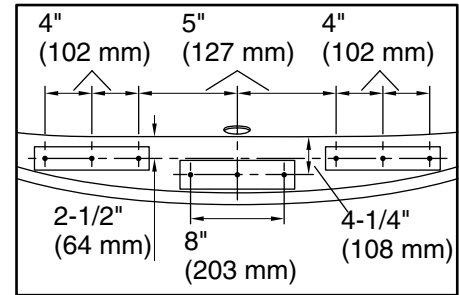
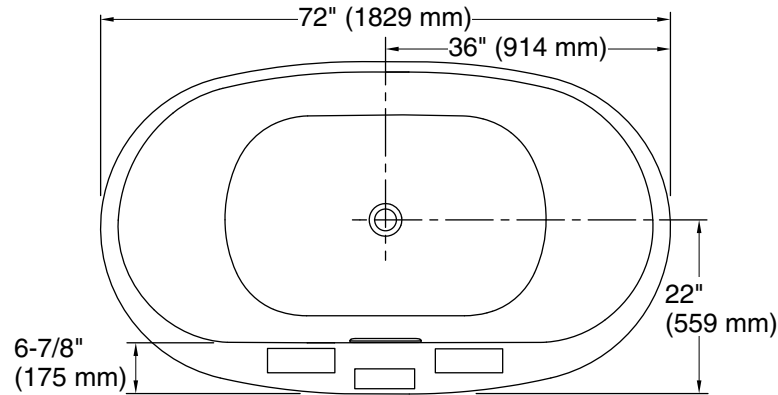
Available Colors/Finishes

Color tiles intended for reference only.

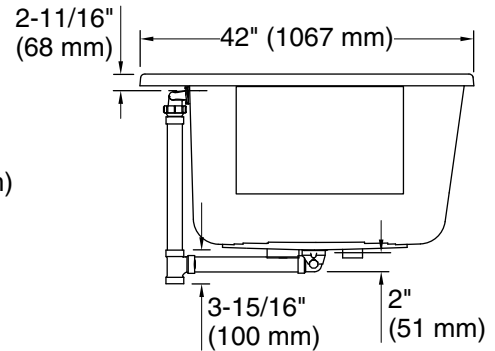
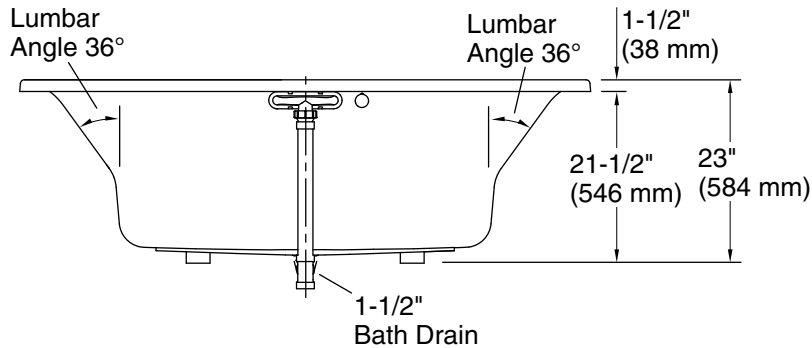
Color	Code	Description
	0	White
	96	Biscuit
	95	Ice™ Grey
	7	Black Black™

No change in measurements if connected with drain illustrated. (K-7272)

□ Recommended Faucet Location



Recommended Faucet Hole Location



Required Electrical Service

One circuit required, protected with Class A Ground-Fault Circuit-Interrupter (GFCI). Outside North America, this device may be known as a Residual Current Device (RCD).

Heated Surface: 120 V, 15 A

Technical Information

All product dimensions are nominal.

Drain location: Center

Basin area, bottom: 46-5/16" x 31-3/16" (1177 mm x 792 mm)

Basin area, top: 63-7/16" x 34-1/4" (1611 mm x 869 mm)

Weight: 111 lbs (50.3 kg)

Minimum floor load: 52.5 lbs/ft² (256.3 kg/m²)

Water depth: 18-5/8" (472 mm)

Water capacity: 112.2 gal (424.7 L)

Template: Drop-in, 1268440-7, required, included

Electrical component rating: Heated Surface: 120 V, 0.5 A, 60 Hz, 65 W

Notes

Measure your actual product for rough-in details.

Install this product according to the installation instructions.

The hot water supply should be 70% of the capacity of the bath or greater. Installations will vary.

If installing a rim-mount faucet, make sure there is no interference above or below the deck before drilling any holes.