

### Features

- Six concealed speakers send sound waves through the water to gently massage the body
- Six original instrumental compositions offer different levels of relaxation
- Syncs with devices enabled with BLUETOOTH® wireless technology including smartphones, MP3 players, tablets, and laptops located up to 33 feet (10 meters) away
- Customize your experience with the high-resolution color touch screen
- Fully-adjustable volume above and below the water
- Functions as a hydrotherapy bath when full of water and a stereo system when empty
- Integral lumbar support
- Oval basin creates a spacious bathing experience
- Slotted overflow allows for deep soaking
- Includes 25' of wiring and amplifier

### Material

- Acrylic

### Technology

- VibrAcoustic calms and soothes with sound vibration technology

### Installation

- Requires K-7271 or K-7272 Clearflo slotted overflow bath drain (sold separately)
- Center drain
- Drop-in or undermount
- Requires 110 V electrical service

### Required Products/Accessories

K-7271 Brass Slotted Overflow Bath Drain

or

K-7272 PVC Slotted Overflow Bath Drain

### Recommended Products/Accessories

K-886 Under-Mount Installation Kit

K-23726 Drain treatment

K-23732 Tub & shower cleaner



### Codes/Standards

CSA B45.5/IAPMO Z124

ASTM E162

ASTM E662

UL 1795

CSA C22.2 No. 218.2

IAPMO Certification

cUL Listed

UL Listed

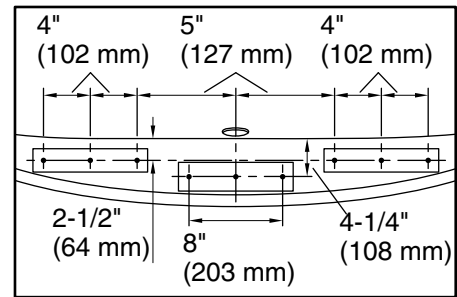
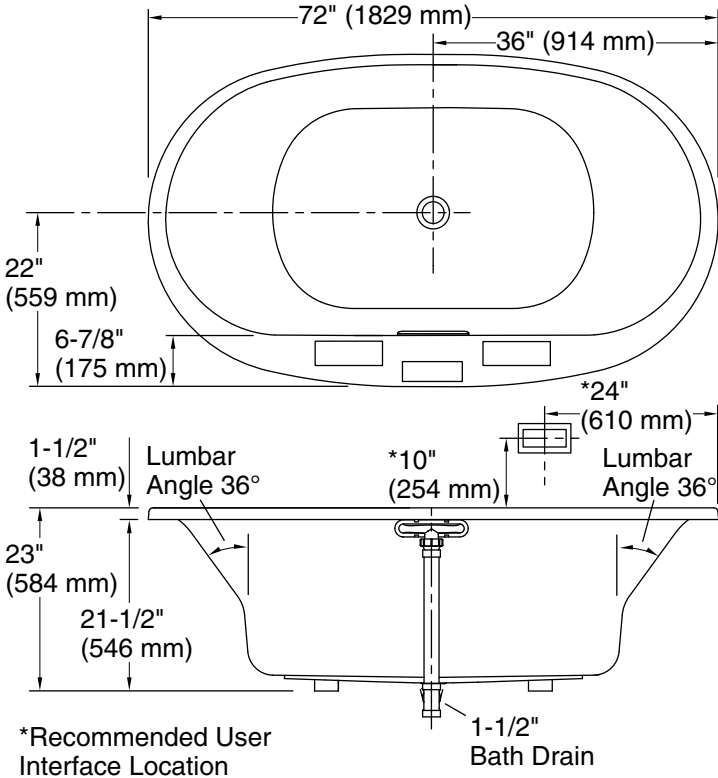
### KOHLER® Plastic Baths and Shower Bases Lifetime Limited Warranty KOHLER® Hydrotherapy Components Five-Year Limited Warranty

See website for detailed warranty information.

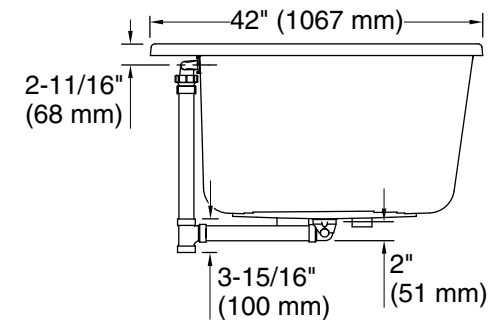
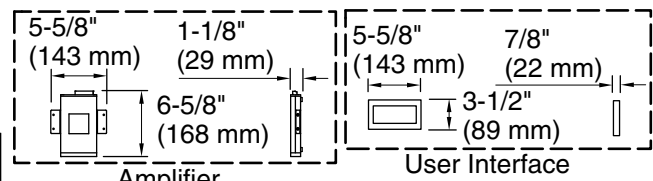
The BLUETOOTH® word mark and logos are registered trademarks owned by Bluetooth SIG, Inc. and any use of such marks by Kohler Co. is under license. Other trademarks and trade names are those of their respective owners.

No change in measurements if connected with drain illustrated. (K-7272)

□ Recommended Faucet Location



Recommended Faucet Hole Location



### Required Electrical Service

One circuit required, protected with Class A Ground-Fault Circuit-Interrupter (GFCI). Outside North America, this device may be known as a Residual Current Device (RCD).

Amplifier: 120 V, 15 A, 50/60 Hz

### Technical Information

All product dimensions are nominal.

Drain location: Center  
 Basin area, bottom: 46-5/16" x 31-3/16" (1177 mm x 792 mm)  
 Basin area, top: 63-7/16" x 34-1/4" (1611 mm x 869 mm)  
 Weight: 110 lbs (49.9 kg)  
 Minimum floor load: 52.4 lbs/ft<sup>2</sup> (255.8 kg/m<sup>2</sup>)  
 Water depth: 18-5/8" (472 mm)  
 Water capacity: 112.2 gal (424.7 L)  
 Template: Drop-in, 1268440-7, required, included  
 Electrical component Amplifier: 120 V, 1.1 A, 50/60 Hz rating:  
 Amplifier channels: 2 at 15 W per channel  
 2 at 30 W per channel

### Notes

Measure your actual product for rough-in details.

Install this product according to the installation instructions.

The hot water supply should be 70% of the capacity of the bath or greater. Installations will vary.

If installing a rim-mount faucet, make sure there is no interference above or below the deck before drilling any holes.

**IMPORTANT!** Due to BLUETOOTH signal overlap, installations of multiple baths within 50 ft (15.2 m) of each other will require special order product. Please contact your dealer, showroom, or sales representative for ordering assistance.