



**Napa™**

18-3/4" undermount single-bowl bar sink  
**K-5848**

### Features

- 24" (610 mm) minimum base cabinet width
- Single bowl
- 9" (229 mm) depth provides generous workspace

### Material

- KOHLER® enameled cast iron

### Installation

- Undermount

### Recommended Products/Accessories

K-8801 Sink drain and strainer with tailpiece

K-8799 Sink drain and strainer basket

K-23726 Drain treatment

K-23725 Cast iron cleaner

### Optional Products/Accessories

K-11352 Disposal Flange with Stopper



**ADA**

### Codes/Standards

ASME A112.19.1/CSA B45.2

ADA

ICC/ANSI A117.1

IAPMO Certification

**KOHLER® Enameled Cast Iron  
Kitchen and Bathroom Sink Lifetime  
Limited Warranty**

See website for detailed warranty information.

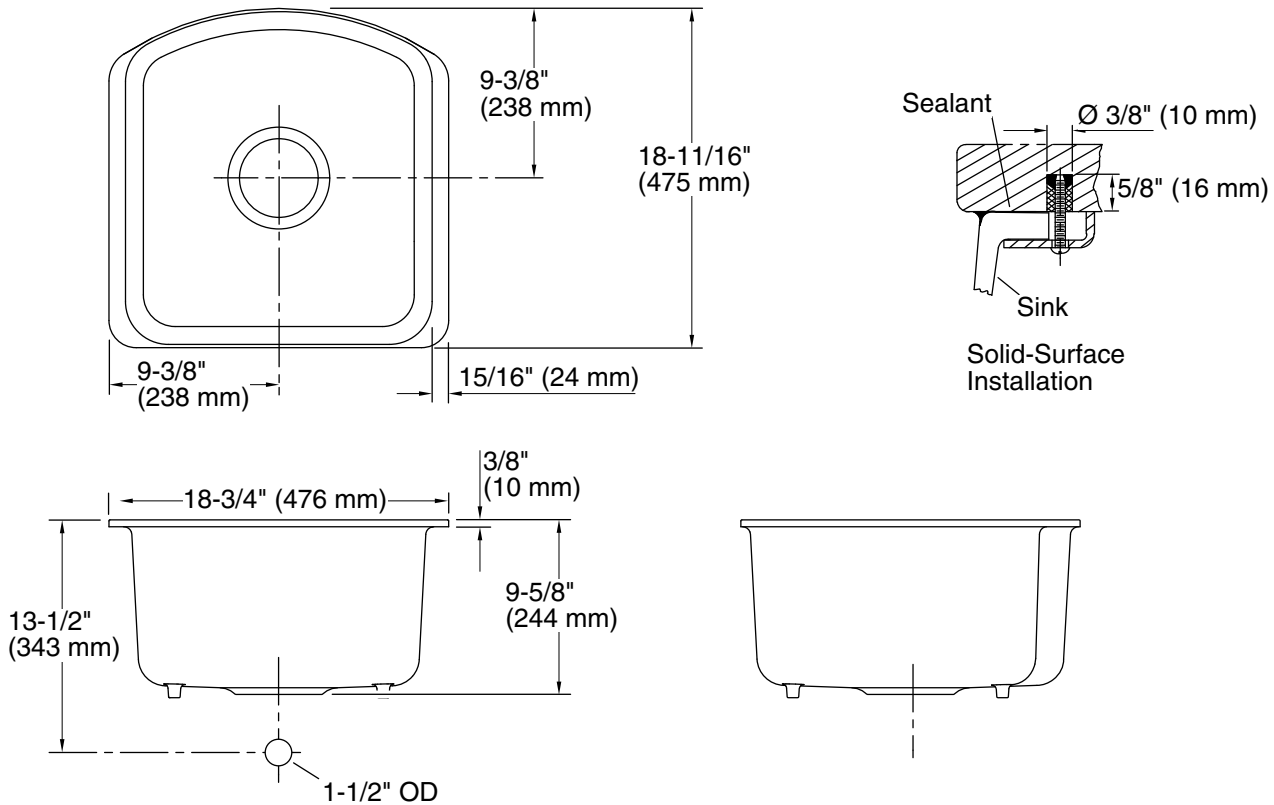
1-800-4KOHLER (1-800-456-4537)

Kohler Co. reserves the right to make revisions without notice to product specifications.

For the most current Specification Sheet, go to [www.kohler.com](http://www.kohler.com) USA or [www.kohler.ca](http://www.kohler.ca) Canada

11-1-2024 23:50 - US/CA

THE BOLD LOOK  
OF **KOHLER®**



#### Technical Information

All product dimensions are nominal.

Basin configuration: Single Bowl  
 Bowl area: Length: 15-11/16" (399 mm)  
 Width: 17-1/8" (435 mm)  
 Bowl depth: 9" (229 mm)  
 Water depth: 9" (229 mm)  
 Template: 1259678-7, required, included

#### Notes

Install this product according to the installation instructions.

ADA compliant when installed to the specific requirements of these regulations.

ADA permits a parallel approach to wet bars.