



# Cape Dory®

33" undermount single-bowl kitchen sink  
K-5864-5U

## Features

- 36" minimum base cabinet width
- Single bowl
- 9" (229 mm) depth provides generous workspace
- Oversized holes allow for easy installation of faucets and accessories
- Five oversized faucet holes
- Sink drain with strainer sold separately

## Material

- KOHLER® enameled cast iron
- Acid-resistant enamel finish

## Installation

- Undermount

## Recommended Products/Accessories

- K-6063 Sink Rack
- K-8801 Sink drain and strainer with tailpiece
- K-8799 Sink drain and strainer basket
- K-6637 Cutting Board
- K-23726 Drain treatment
- K-23725 Cast iron cleaner
- 1411886 Undermount sink kit 23"

## Optional Products/Accessories

- K-11352 Disposal Flange with Stopper
- K-9000 P-Trap



## Codes/Standards




ASME A112.19.1/CSA B45.2  
IAPMO Certification

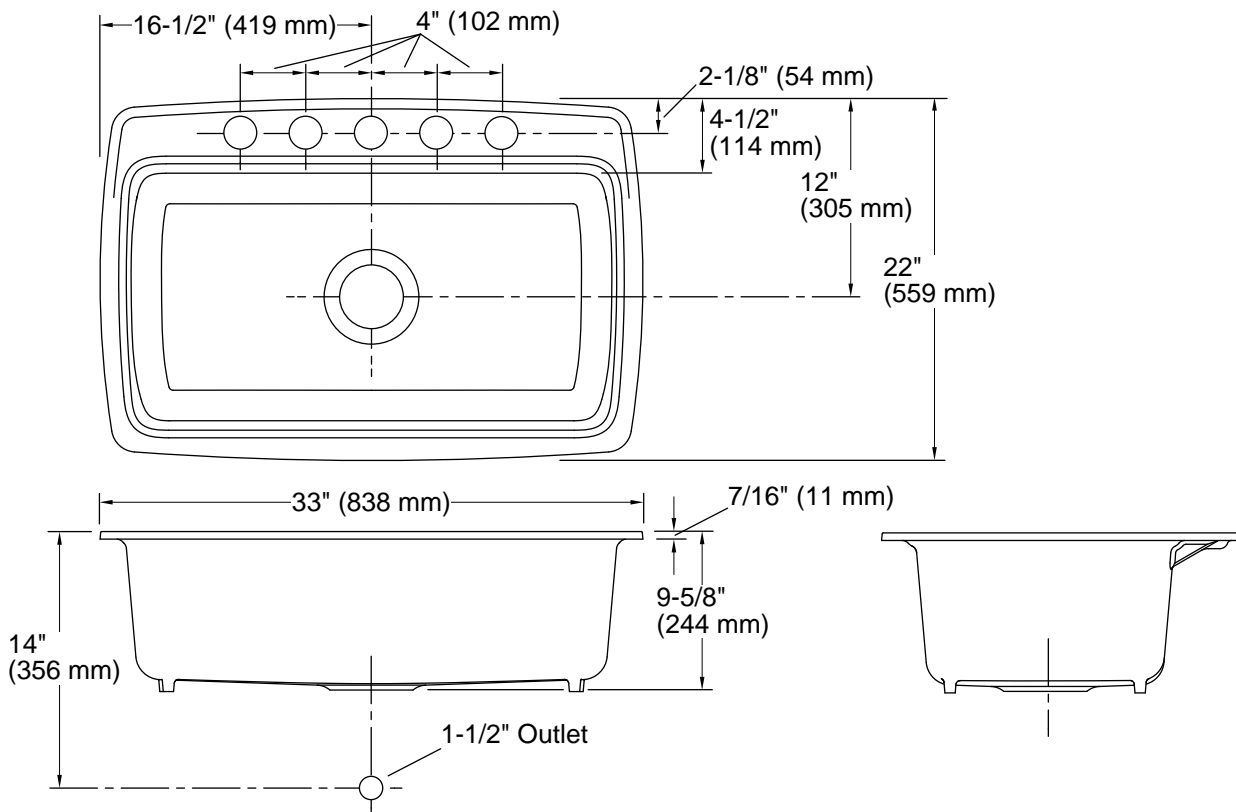
## KOHLER® Enameled Cast Iron Kitchen and Bathroom Sink Lifetime Limited Warranty

See website for detailed warranty information.

## Available Colors/Finishes

*Color tiles intended for reference only.*

Color	Code	Description
	0	White
	96	Biscuit
	7	Black Black™



## Technical Information

All product dimensions are nominal.

Basin configuration: Single Bowl

Center(s): 8" (203 mm)

Min. base cabinet width: 36" (914 mm)

Bowl area (Only): Length: 29" (737 mm)  
 Width: 15" (381 mm)  
 Bowl depth: 9" (229 mm)

Number of deck holes: 5

Faucet hole(s): 2-3/8" (60 mm)

Drain hole: 3-5/8" (92 mm)

Template: Under-mount, 1034873-7, required, included

## Notes

Install this product according to the installation instructions.

Faucet holes in under-mount fixture are oversized at  $\tilde{A}$  2-3/8" (60 mm). Drill faucet holes in counter according to fitting roughing-in.