

Features

- Unique articulated-joint design directs water to any angle and folds out of the way when not in use
- Integral sprayhead provides laminar flow or ring spray at the touch of a button
- KOHLER® ceramic disc valves exceed industry longevity standards for a lifetime of durable performance
- Single joystick lever handle is simple to use and makes adjusting water temperature easy
- 1.5 gpm (5.7 lpm) maximum flow rate at 60 psi (4.14 bar)

Material

- Premium metal and carbon fiber construction
- KOHLER finishes resist corrosion and tarnishing

Installation

- Two-hole installation
- Flexible supply lines simplify installation

Recommended Products/Accessories

K-23723 Faucet cleaner



ADA CSA B651

Codes/Standards

ASME A112.18.1/CSA B125.1

NSF/ANSI/CAN 61

NSF/ANSI/CAN 372

All applicable US Federal and State material regulations

DOE - Energy Policy Act 1992

California Energy Commission (CEC)

ADA

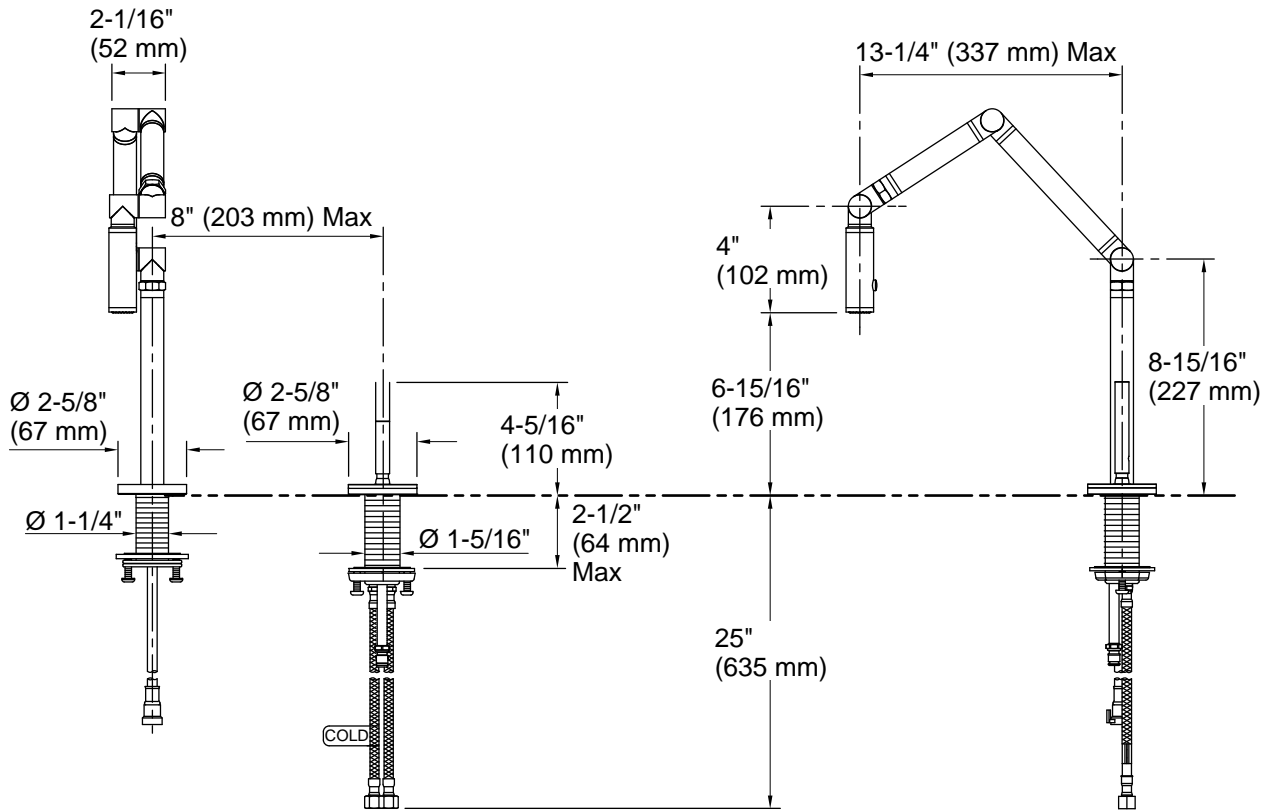
ICC/ANSI A117.1

CSA B651

IAPMO Certification

KOHLER® Faucet Lifetime Limited Warranty

See website for detailed warranty information.



Technical Information

All product dimensions are nominal.

Faucet:

Flow rate: 1.5 gal/min (5.7 l/min)

Notes

Install this product according to the installation guide.

ADA compliant for faucet handles only

ADA, CSA B651 compliant when installed to the specific requirements of these regulations.