

Features

- Unique articulated-joint design directs water to any angle and folds out of the way when not in use
- Integral sprayhead provides laminar flow or ring spray at the touch of a button
- KOHLER® ceramic disc valves exceed industry longevity standards for a lifetime of durable performance
- Single joystick lever handle is simple to use and makes adjusting water temperature easy
- 1.5 gpm (5.7 lpm) maximum flow rate at 60 psi (4.14 bar)

Material

- Premium metal and carbon fiber construction
- KOHLER® finishes resist corrosion and tarnishing

Installation

- Wall-mount
- Flexible supply lines simplify installation

Recommended Products/Accessories

K-23723 Faucet cleaner

Optional Products/Accessories

1107026 Shallow Rough-In Valve Body Kit

1107027 Deep Rough-In Valve Body Kit



ADA

CSA B651

Codes/Standards

ASME A112.18.1/CSA B125.1

NSF/ANSI/CAN 61

NSF/ANSI/CAN 372

All applicable US Federal and State material regulations

DOE - Energy Policy Act 1992

California Energy Commission (CEC)

ADA

ICC/ANSI A117.1

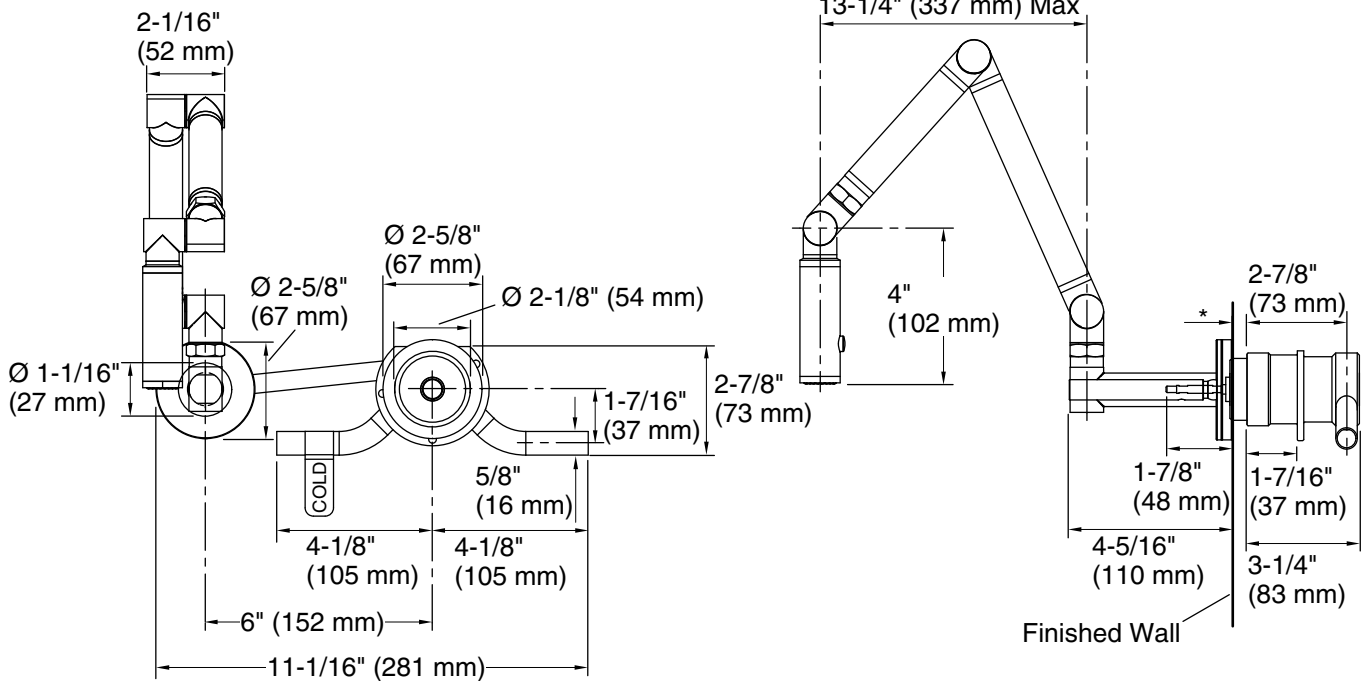
CSA B651

IAPMO Certification

KOHLER® Faucet Lifetime Limited Warranty

See website for detailed warranty information.

Finished Wall Thickness	*
Thin Wall	0" - 5/8" (16 mm)
Standard Wall	1/2" (13 mm) - 1-1/8" (29 mm)
Thick Wall	1" (25 mm) - 1-5/8" (41 mm)



Technical Information

All product dimensions are nominal.

Faucet:

Flow rate: 1.5 gal/min (5.7 l/min)

Notes

Install this product according to the installation guide.

Do not locate the faucet in close proximity to a direct heat source or use the faucet as a pot filler. Exposure to excessive heat will damage the integral sprayhead and spout joints and may cause severe discoloration to the carbon fiber tubing.

Special framing and support considerations are required to mount the wall-mount valve.

One 2-3/16" (56 mm) diameter cut-out hole is required for the valve. One 1-3/16" (30 mm) diameter cut-out hole is required for the spout.

ADA, CSA B651 compliant when installed to the specific requirements of these regulations.