

Features

- Unique articulated-joint design directs water to any angle and folds out of the way when not in use
- Single 1-5/16" (33 mm) diameter remote joystick lever handle is simple to use and makes adjusting water temperature easy
- KOHLER® ceramic disc valves exceed industry longevity standards for a lifetime of durable performance
- Integral sprayhead provides laminar flow or aerated spray at the touch of a button
- Variable spout reach from less than 2" (51 mm) to over 13" (330 mm)
- 1.8 gpm (6.8 lpm) maximum flow rate at 60 psi (4.14 bar)

Material

- Premium metal and carbon fiber construction
- KOHLER® finishes resist corrosion and tarnishing

Installation

- Two-hole deck-mount
- Flexible supply lines and installation ring simplify installation

Recommended Products/Accessories

K-23723 Faucet cleaner

Optional Products/Accessories

1191733 Deep Rough-in Kit



ADA

CSA B651

Codes/Standards

ASME A112.18.1/CSA B125.1

NSF/ANSI/CAN 61

NSF/ANSI/CAN 372

All applicable US Federal and State material regulations

DOE - Energy Policy Act 1992

California Energy Commission (CEC)

ADA

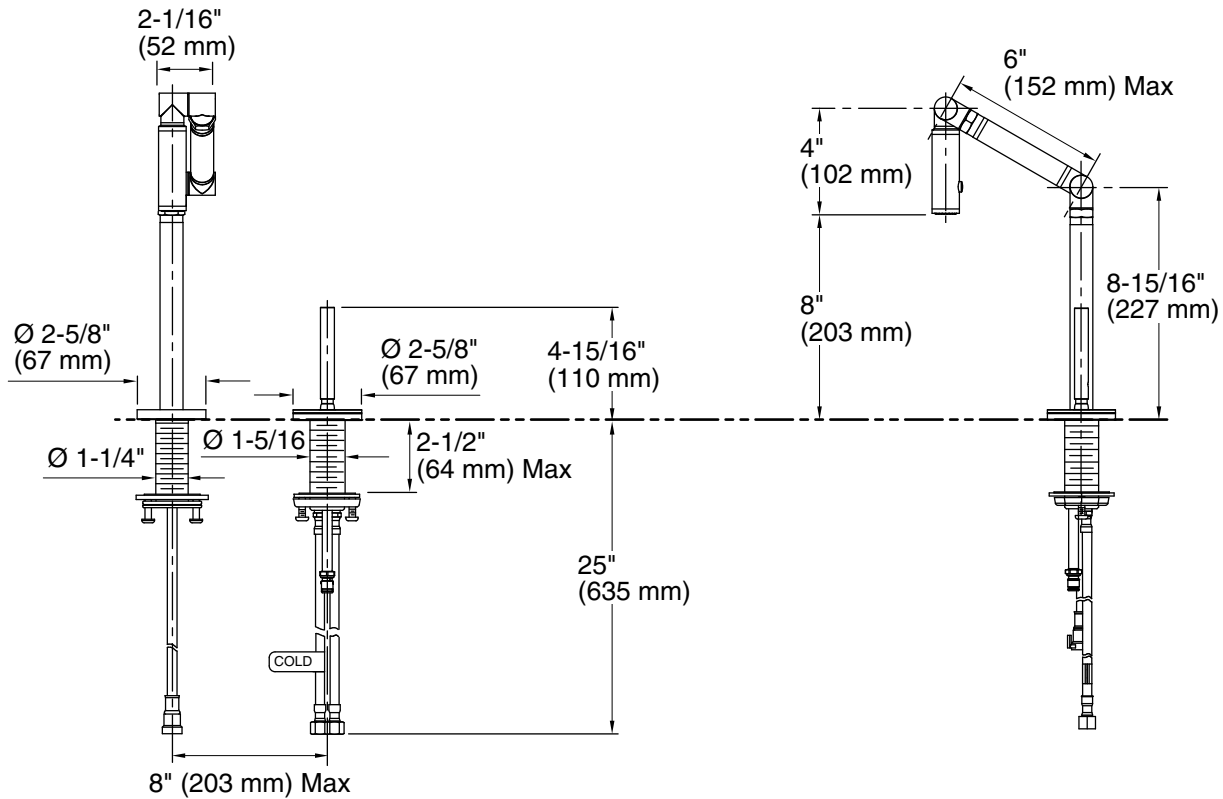
ICC/ANSI A117.1

CSA B651

IAPMO Certification

KOHLER® Faucet Lifetime Limited Warranty

See website for detailed warranty information.



Technical Information

All product dimensions are nominal.

Faucet:

Flow rate: 1.75 gal/min (6.6 l/min)

Spout:

Spout reach: 6" (152 mm)

Notes

Install this product according to the installation guide.

ADA, CSA B651 compliant when installed to the specific requirements of these regulations.