

Features

- Metal and carbon fiber construction
- Articulating spout
- One-piece, self-contained ceramic disc valve allows for both volume and temperature control
- Less drain
- 2" (51 mm) diameter valve with remote lever handle
- 1-1/2" - 6" (38 - 152 mm) spout reach
- With silver tube
- 1.5 gpm (5.7 lpm) maximum flow rate at 60 psi (4.14 bar)

Installation

- Wall-mount

Recommended Products/Accessories

K-23726 Drain treatment
K-23723 Faucet cleaner

Optional Products/Accessories

1107026 Shallow Rough-In Valve Body Kit
1107027 Deep Rough-In Valve Body Kit



ADA

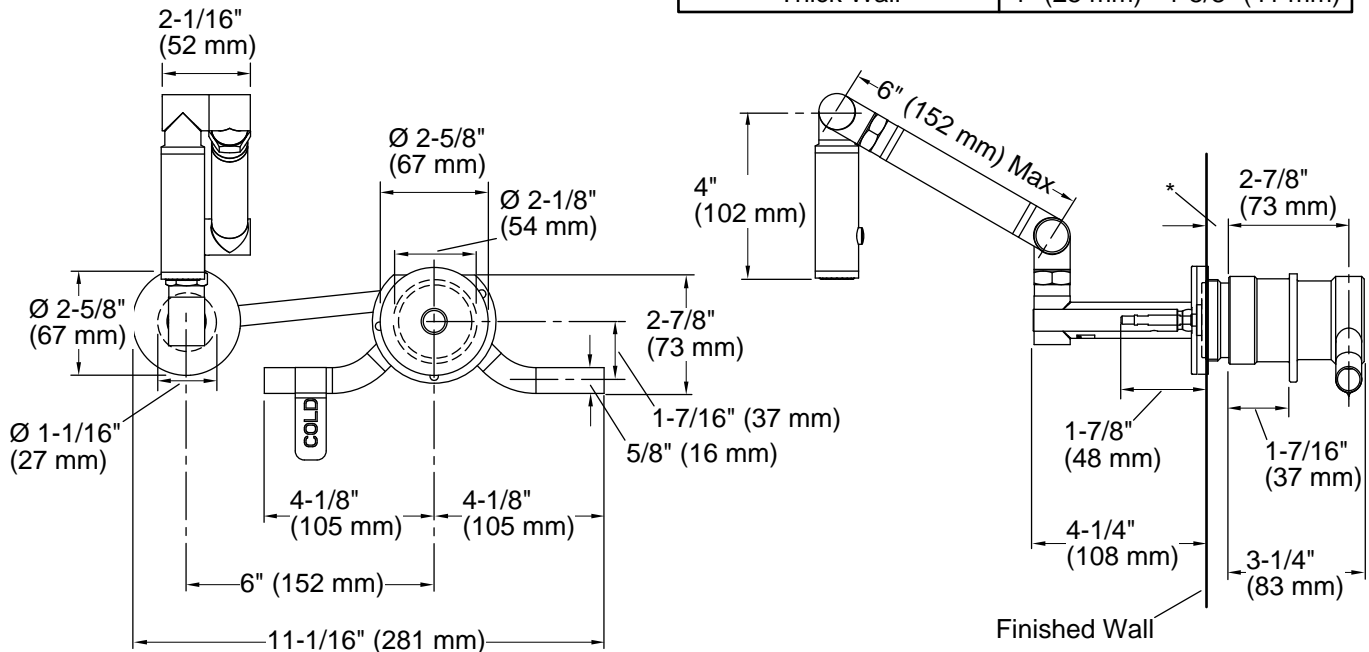
Codes/Standards

ASME A112.18.1/CSA B125.1
NSF/ANSI/CAN 61
NSF/ANSI/CAN 372
EPA WaterSense®
ADA
ICC/ANSI A117.1

KOHLER® Faucet Lifetime Limited Warranty

See website for detailed warranty information.

Finished Wall Thickness	*
Thin Wall	0" - 5/8" (16 mm)
Standard Wall	1/2" (13 mm) - 1-1/8" (29 mm)
Thick Wall	1" (25 mm) - 1-5/8" (41 mm)



Technical Information

All product dimensions are nominal.

Faucet:

Flow rate: 1.5 gal/min (5.7 l/min)

Drain included: No

Spout:

Spout reach: 6" (152 mm)

Notes

Install this product according to the installation guide.

WARNING: Risk of property damage. For exterior wall installations, ensure proper wall insulation to prevent frozen pipes.

NOTICE: Do not locate the faucet in close proximity to a direct heat source or use the faucet as a pot filler. Exposure to excessive heat will damage the integral sprayhead and spout joints and may cause severe discoloration to the carbon fiber tubing.

Special framing and support considerations are required to mount the wall-mount valve.

WARNING: Risk of property damage. Before finishing the wall, ensure the supply lines are connected to the mixer valve with the cold supply line plumbed on the left and the hot supply line plumbed on the right. Doing so will avoid replacing the finished wall due to error.

One 2-3/16" (56 mm) diameter cutout hole is required for the valve. One 1-3/16" (30 mm) diameter cutout hole is required for the spout.