

Features

- Can be used in those municipalities where it is required by code
- For use with the K-6284 2"x6" In-Wall Tank and Carrier System when required by code

Installation

- See installation guide and installation video for more detailed information

Recommended Products/Accessories

K-23725 Cast iron cleaner

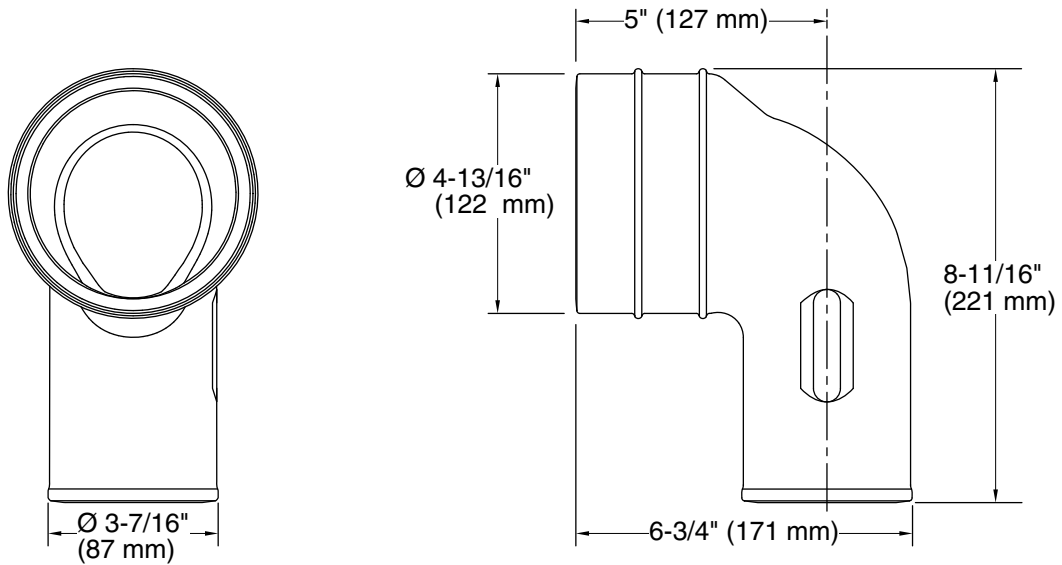


Codes/Standards

ASTM A888

KOHLER® Lifetime Limited Warranty for Cast Iron Components

See website for detailed warranty information.



Technical Information

All product dimensions are nominal.

Material: KOHLER® Enameled Cast Iron