

Features

- Oval basin creates a spacious bathing experience
- Integral lumbar support and armrests offer extra comfort while bathing
- Textured bottom surface

Material

- Acrylic

Installation

- Reversible drain
- Drop-in or undermount
- Smooth backside for easy handling and mounting of drain and overflow

Recommended Products/Accessories

- K-738 Under-Mount Install Kit - K-6346/K-6347
- K-23726 Drain treatment
- K-23732 Tub & shower cleaner
- K-31796 Above-the-floor bath drain kit
- K-31798 Bath drain kit



Codes/Standards

CSA B45.5/IAPMO Z124
IAPMO Certification

KOHLER® Plastic Baths and Receptors Lifetime Limited Warranty

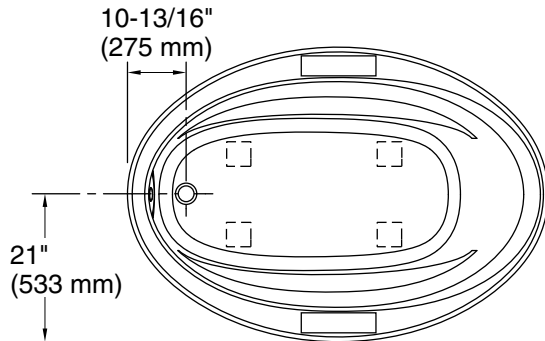
See website for detailed warranty information.

Available Colors/Finishes


Color tiles intended for reference only.

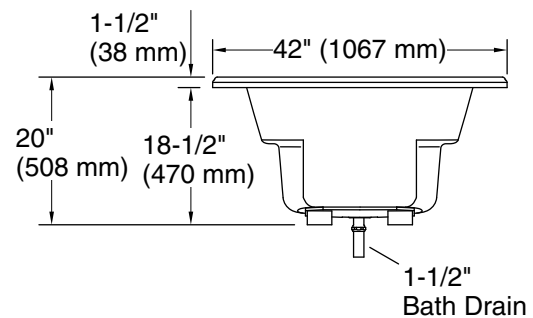
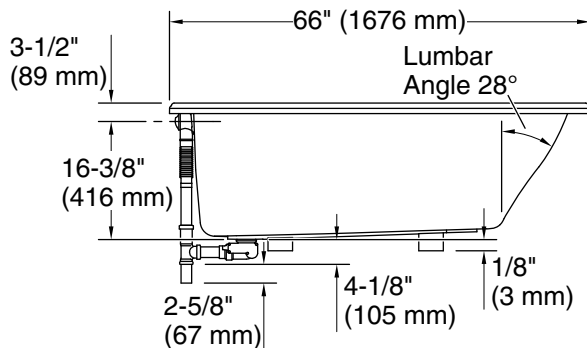
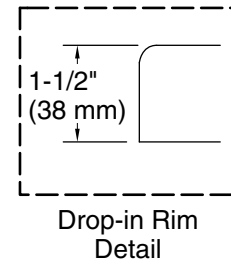
| Color | Code | Description |
|-------|------|-------------|
|-------|------|-------------|

| | | |
|---|---|-------|
|  | 0 | White |
|---|---|-------|



No change in measurements if connected with drain illustrated. (K-37382)

 Recommended Faucet Location



Technical Information

All product dimensions are nominal.

| | |
|---------------------|---|
| Drain location: | Reversible |
| Basin area, bottom: | 48-5/8" x 24-1/2" (1235 mm x 622 mm) |
| Basin area, top: | 60" x 32-3/16" (1523 mm x 818 mm) |
| Minimum floor load: | 34 lbs/ft ² (166 kg/m ²) |
| Water depth: | 14-5/16" (364 mm) |
| Water capacity: | 70 gal (265 L) |
| Template: | Drop-in, 1233384-7, not required, included |

Notes

Measure your actual product for rough-in details.

Install this product according to the installation instructions.

The hot water supply should be 70% of the capacity of the bath or greater. Installations will vary.

Kit is required for under-mount installations (sold separately).

If installing a rim-mount faucet, make sure there is no interference above or below the deck before drilling any holes.