

Features

- 120 airjets release thousands of heated bubbles that surround and support the body in a warm massage
- Variable-speed blower lets you adjust massage intensity to 18 levels
- Built-in heater
- Automatic and manual purge cycles remove residual water from air channels after use
- 60-minute automatic shutoff timer
- Oval basin creates a spacious bathing experience
- Spacious design accommodates up to two bathers
- Integral lumbar support and armrests offer extra comfort while bathing
- Keypad control
- Textured bottom surface

Material

- Acrylic

Technology

- Heated BubbleMassage™ technology warms and humidifies air before it enters the bath

Installation

- Drop-in or undermount
- Reversible drain

Required Products/Accessories

K-11677 Bath Drain

Recommended Products/Accessories

K-738 Under-Mount Install Kit - K-6346/K-6347
K-31796 Above-the-floor bath drain kit
K-31798 Bath drain kit



Codes/Standards

ASME A112.19.7/CSA B45.10
CSA B45.5/IAPMO Z124
ASTM E162
ASTM E662
UL 1795
CSA C22.2 No. 218.2
IAPMO Certification
cUL Listed
UL Listed



KOHLER® Plastic Baths and Shower Bases Lifetime Limited Warranty KOHLER® Hydrotherapy Components Five-Year Limited Warranty

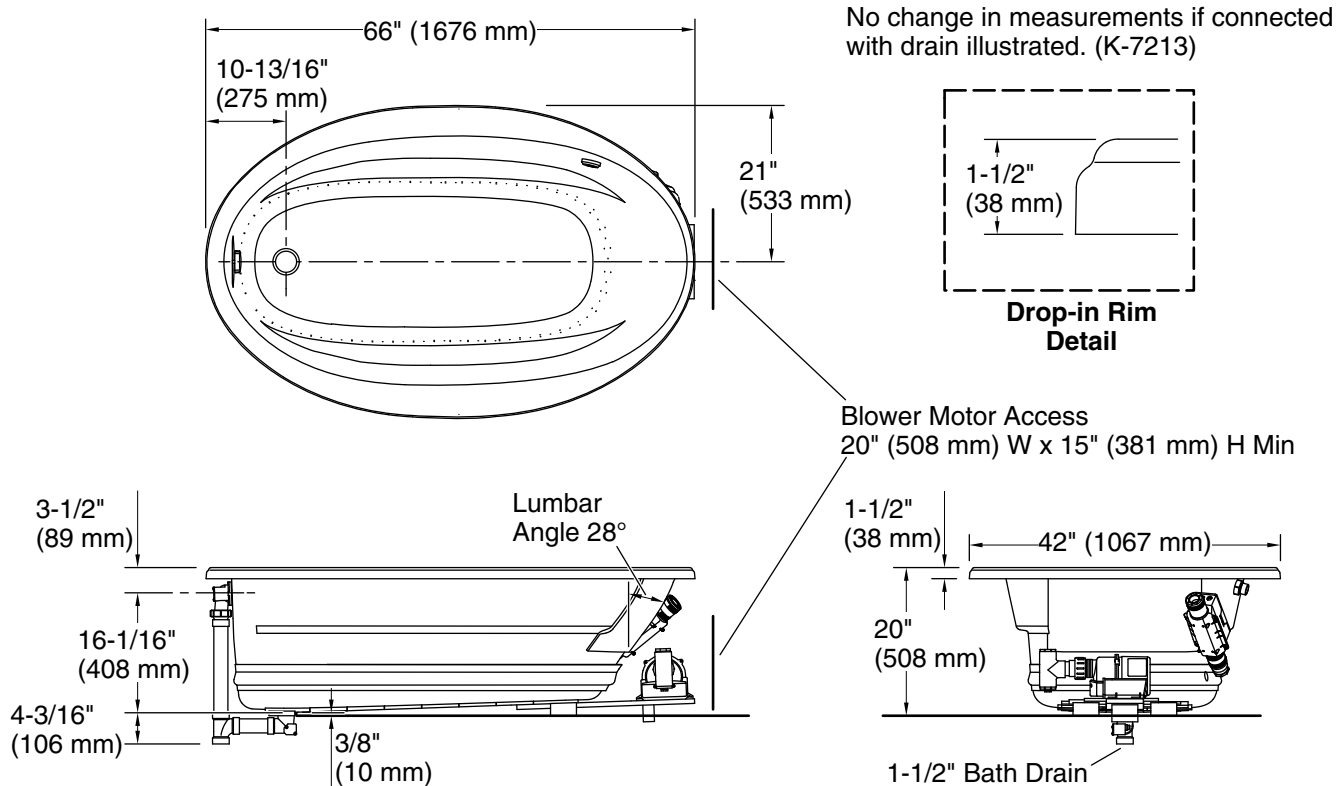
See website for detailed warranty information.

Available Colors/Finishes

Color tiles intended for reference only.

Color Code Description

| | | |
|-------------------------------------------------------------------------------------|----|---------|
|  | 0 | White |
|  | 96 | Biscuit |



Required Electrical Service

Two dedicated circuits required, protected with Class A Ground-Fault Circuit-Interrupter (GFCI). Outside North America, this device may be known as a Residual Current Device (RCD).

| | |
|-----------|--------------------|
| Blower: | 120 V, 15 A, 60 Hz |
| Air bath: | 120 V, 15 A, 60 Hz |

Technical Information

All product dimensions are nominal.

| | |
|------------------------------|-----------------------------------------------------------|
| Drain location: | Reversible |
| Basin area, bottom: | 48-5/8" x 24-1/2" (1235 mm x 622 mm) |
| Basin area, top: | 60" x 32-3/16" (1523 mm x 818 mm) |
| Weight: | 122 lbs (55.3 kg) |
| Minimum floor load: | 34 lbs/ft ² (166 kg/m ²) |
| Water depth: | 14-5/16" (364 mm) |
| Water capacity: | 70 gal (265 L) |
| Template: | Drop-in, 1233384-7, not required, included |
| Electrical component rating: | Blower: 120 V, 10 A, 60 Hz Air bath: 120 V, 5 A, 60 Hz |

Notes

Measure your actual product for rough-in details.

Install this product according to the installation instructions.

The hot water supply should be 70% of the capacity of the bath or greater. Installations will vary.