

Features

- Single-speed whirlpool offers performance and value, with six fully adjustable jets
- Hydromassage flow and direction can be controlled at each jet
- Built-in heater
- Oval basin creates a spacious bathing experience
- Integral lumbar support and armrests offer extra comfort while bathing
- Textured bottom surface

Material

- Acrylic

Hydrotherapy

- Whirlpool

Installation

- Reversible drain
- Drop-in or undermount
- Smooth backside for easy handling and mounting of drain and overflow

Required Products/Accessories

K-11677 Bath Drain

Recommended Products/Accessories

K-738 Under-Mount Install Kit - K-6346/K-6347
K-23726 Drain treatment
K-23732 Tub & shower cleaner
K-31796 Above-the-floor bath drain kit
K-31798 Bath drain kit



Codes/Standards

ASME A112.19.7/CSA B45.10
CSA B45.5/IAPMO Z124
UL 1795
IAPMO Certification
UL Listed

KOHLER® Plastic Baths and Shower Bases Lifetime Limited Warranty KOHLER® Hydrotherapy Components Five-Year Limited Warranty

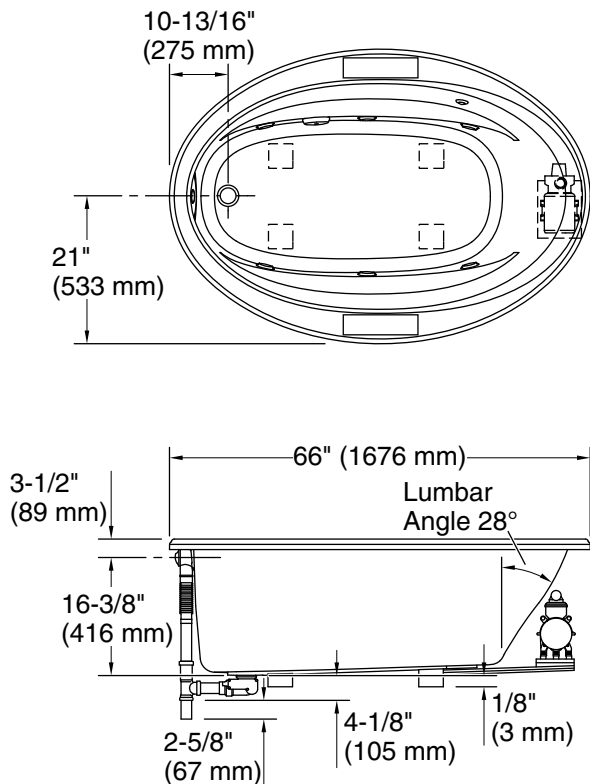
See website for detailed warranty information.

Available Colors/Finishes

Color tiles intended for reference only.

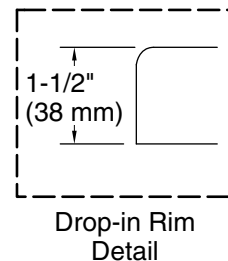
Color	Code	Description
-------	------	-------------

	0	White
---	---	-------

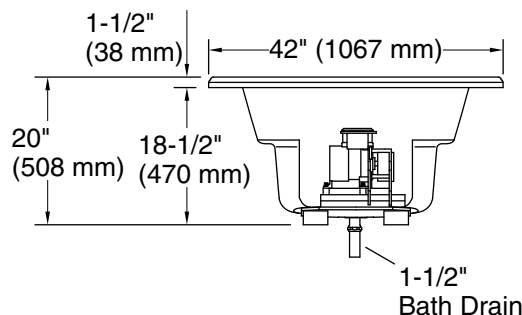


No change in measurements if connected with drain illustrated. (K-37382)

 Recommended Faucet Location



Access Panel
 20" (508 mm) W x 15" (381 mm) H



Required Electrical Service

Two dedicated circuits required, protected with Class A Ground-Fault Circuit-Interrupter (GFCI). Outside North America, this device may be known as a Residual Current Device (RCD).

Pump: 120 V, 15 A, 60 Hz

Technical Information

All product dimensions are nominal.

- Drain location: Reversible
- Basin area, bottom: 48-5/8" x 24-1/2" (1235 mm x 622 mm)
- Basin area, top: 60" x 32-3/16" (1523 mm x 818 mm)
- Minimum floor load: 34 lbs/ft² (166 kg/m²)
- Water depth: 14-5/16" (364 mm)
- Water capacity: 70 gal (265 L)
- Template: Drop-in, 1233384-7, not required, included
- Electrical component rating: Pump: 120 V, 7.5 A, 60 Hz
Heater: 120 V, 12.5 A, 60 Hz, 1500 W
- Pump speed: Single

Notes

Measure your actual product for rough-in details.

Install this product according to the installation instructions.

The hot water supply should be 70% of the capacity of the bath or greater. Installations will vary.

Kit is required for under-mount installations (sold separately).

If installing a rim-mount faucet, make sure there is no interference above or below the deck before drilling any holes.