



Sunstruck® | K-6368-W1

65-1/2" x 35-1/2" freestanding bath with Bask® heated surface and straight shroud

Features

- Bask® heated surface creates spa-like relaxation with soothing warmth on your back, shoulders, and neck
- Three heat settings allow you to customize the surface temperature
- Freestanding design creates a striking focal point in your bathing area
- 16" (406 mm) depth offers a deep soaking experience
- Integral lumbar support
- Textured bottom surface
- Wide ledge on one side is ideal for deck-mount faucet and/or handshower
- Straight shroud



Available Colors/Finishes

Color tiles intended for reference only.

- 0 White



Codes/Standards

CSA B45.5/IAPMO Z124
 CSA C22.2 No. 218.2
 cUL Listed
 UL Listed

Technical Information

All product dimensions are nominal.

Drain Location:	Center
Drain Hole Diameter:	2-1/4" (57 mm)
Basin Area, Bottom:	45-3/4" x 24-7/8" (1162 mm x 632 mm)
Basin Area, Top:	54-7/8" x 29-3/16" (1394 mm x 741 mm)
Water Depth:	15-3/4" (400 mm)
Water Capacity:	72.6 gal (274.8 L)
Minimum Floor Load:	40.4 lbs/ft ²
Weight:	110 lbs (49.9 kg)

Material

- Acrylic

Recommended Products/Accessories

K-23726 Drain treatment
 K-23732 Tub & shower cleaner
 K-7265 Brass toe tap bath drain

Required Products/Accessories

- K-T37392 Rotary-turn bath drain trim
 - K-T37391 Rotary-turn bath drain trim
- or
- K-78438 30" cable bath drain

Required Electrical Service

One circuit required, protected with Class A Ground-Fault Circuit-Interrupter (GFCI). Outside North America, this device may be known as a Residual Current Device (RCD).

Heated Surface: 120 V, 15 A, 60 Hz

Electrical Component Ratings

Heated Surface: 120 V, 0.5 A, 50/60 Hz, 65 W

Warranty

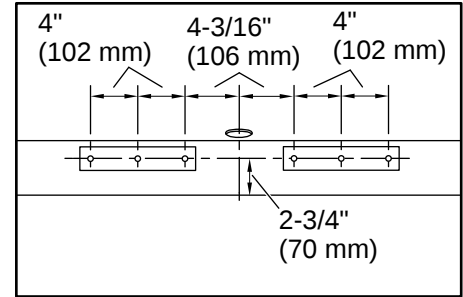
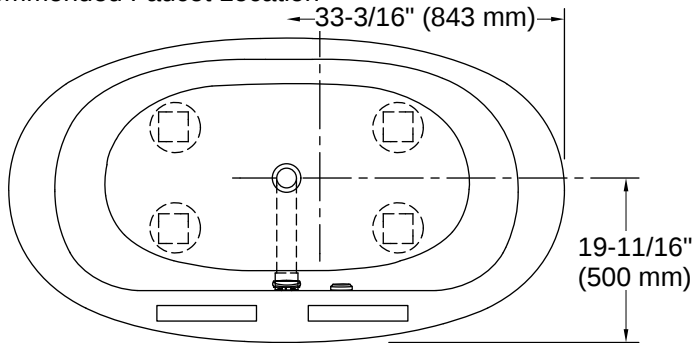
See website for detailed warranty information.

KOHLER® Hydrotherapy Components Five-Year Limited Warranty

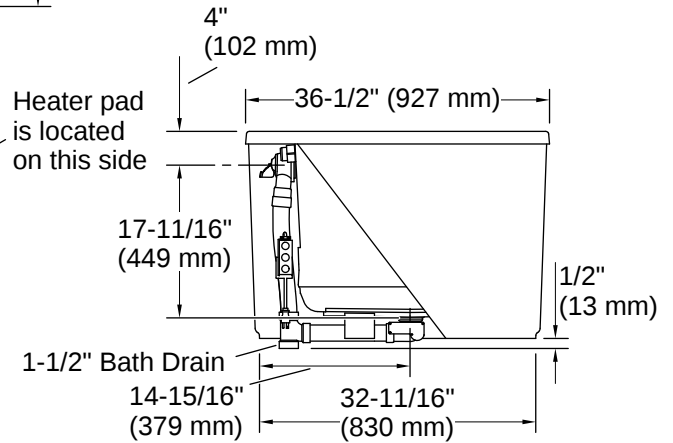
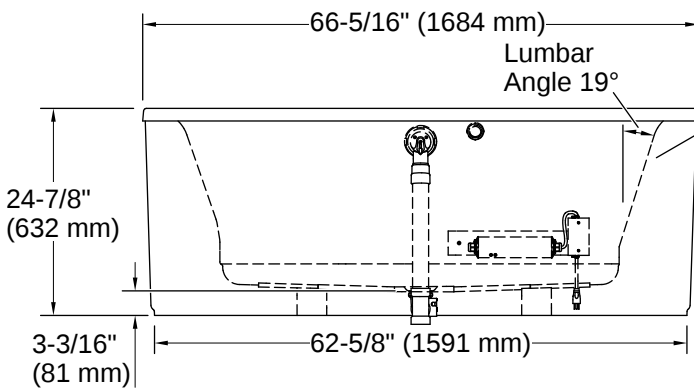


No change in measurements if connected with drain illustrated. (K-37383)

□ Recommended Faucet Location



Recommended Faucet Hole Location



Installation

- Center drain
- Freestanding
- PureFlo drains are not recommended for a deck-mount faucet installation

Installation Notes

Install this product according to the installation instructions.

Measure your actual product for rough-in details.
 The hot water supply should be 70% of the capacity of the bath or greater. Installations will vary.
 If installing a rim-mount faucet, make sure there is no interference above or below the deck before drilling any holes.

