



Soap Dispenser K-6383

Features

- Ergonomic spout design for one-handed pumping.
- Grip pad on base holds dispenser steady.
- Wide-mouth bottle for easy refilling.
- 10-oz. capacity.

Recommended Products/Accessories

K-23723 Faucet cleaner



Codes/Standards

None Applicable

KOHLER® One-Year Limited Warranty

See website for detailed warranty information.

Available Colors/Finishes

Color tiles intended for reference only.

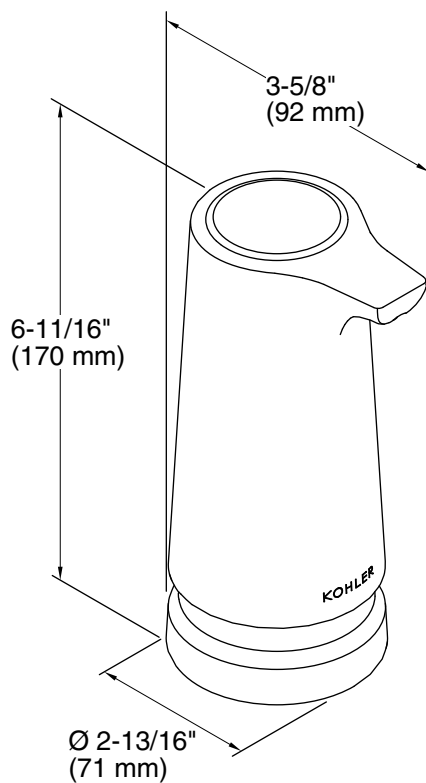
Color	Code	Description
-------	------	-------------



0	White
---	-------



CHR	Charcoal
-----	----------



Technical Information

All product dimensions are nominal.

Material: Plastic