

Features

- Two-piece design
- Elongated bowl offers added room and comfort
- Comfort Height® feature offers chair-height seating that makes sitting down and standing up easier for most adults
- Left-hand nested trip lever offers a choice of 1.1 or 1.6 gallons per flush (gpf)
- Combination consists of the K-4373 bowl and the K-4458 tank
- Dual-flush technology allows you to choose between a full or partial flush
- Eligible for consumer rebates in some municipalities
- 2-1/8" (54 mm) fully glazed trapway

Installation

- Seat sold separately
- 10" (254 mm) rough-in
- Three-bolt quick-connect installation

Recommended Products/Accessories

- K-5420 Low-Profile Bolt Caps
- K-9237 Dual-flush Trip Lever
- 1023457 Wax Ring/Hardware Kit
- 1265114 Connector Hose
- K-23726 Drain treatment
- K-4636-RL Cachet® ReadyLatch® Quiet-Close™ elongated toilet seat

Included Components

- K-4458 Toilet tank, dual-flush
- K-4373 Elongated toilet bowl



ADA

CSA B651

OBC

Codes/Standards




- ASME A112.19.2/CSA B45.1
- EPA WaterSense®
- ADA
- ICC/ANSI A117.1
- CSA B651
- OBC

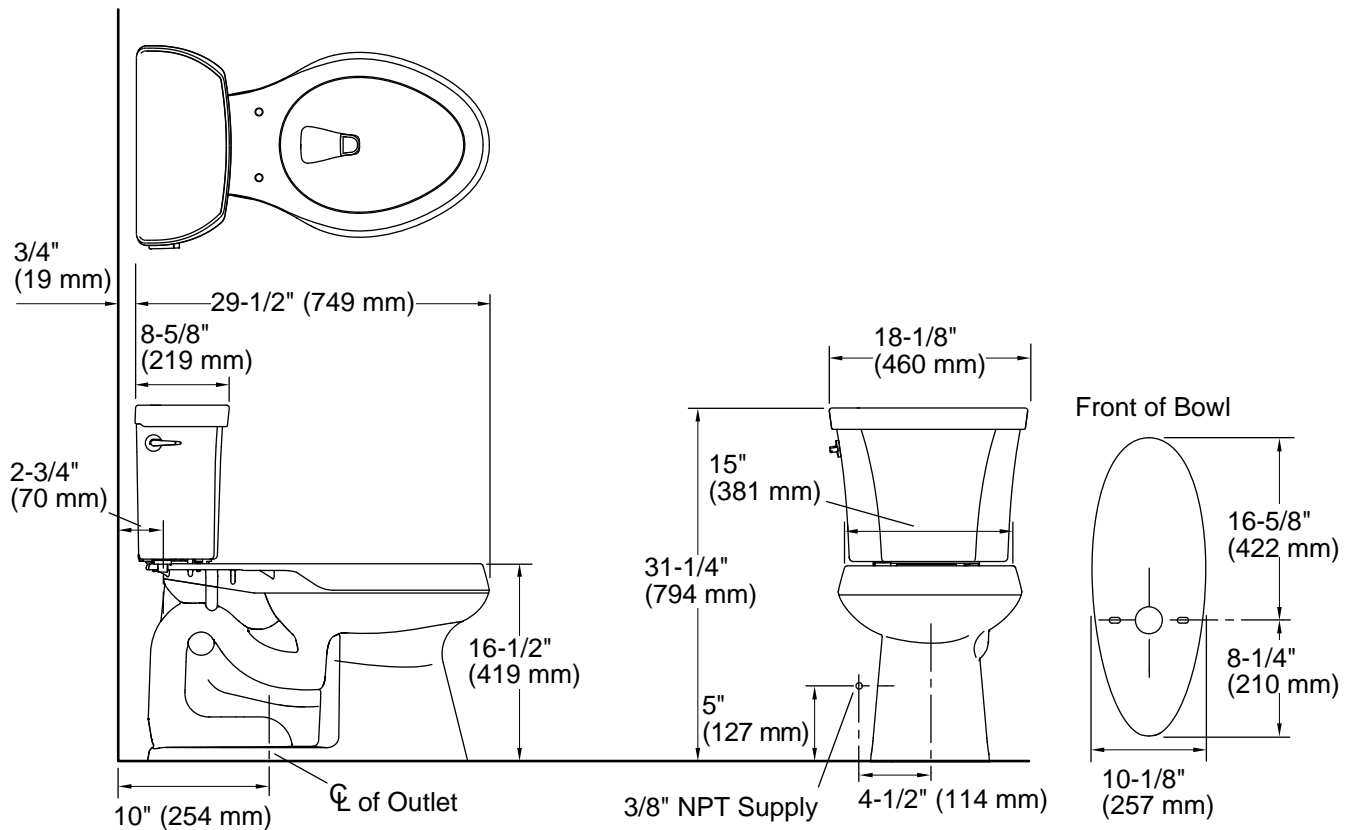
KOHLER® Toilets and Seats Limited Warranty

See website for detailed warranty information.

Available Colors/Finishes

Color tiles intended for reference only.

| Color | Code | Description |
|---|------|--------------|
|  | 0 | White |
|  | 96 | Biscuit |
|  | 7 | Black Black™ |



Technical Information

All product dimensions are nominal.

| | |
|-----------------------|--------------------------------|
| Toilet type: | Floor-mount |
| Waste Outlet: | Floor |
| Bowl shape: | Elongated |
| Flush type: | Class Five |
| Trap passageway: | 2-1/8" (54 mm) |
| Water surface size: | 11-3/8" x 8" (289 mm x 203 mm) |
| Rim to water surface: | 5-3/8" (137 mm) |
| Rough-in: | 10" (254 mm) |
| Seat-mounting holes: | 5-1/2" (140 mm) |

Notes

Install this product according to the installation instructions.

The Model Plumbing Codes require the installation of elongated open-front toilet seats in public bathrooms.

ADA, OBC, CSA B651 compliant when installed to the specific requirements of these regulations.

Plumbing codes may require elongated toilets and elongated, open-front seats in public bathrooms.

Accessibility standards may require controls to be located on the open side of the toilet.