



Indio®
Smart Divide® 33" undermount double-bowl kitchen
sink
K-6411-1

Features

- 36" minimum base cabinet width
- Large/medium bowls
- 9" (229 mm) depth provides generous workspace
- Single faucet hole
- An integrated faucet deck provides additional water containment
- Smart Divide® feature offers a lower bowl divider that increases workspace versatility
- Includes two bottom sink racks, walnut cutting board, and colander
- Sink drain with strainer sold separately

Material

- KOHLER® enameled cast iron

Installation

- Undermount installation kit not included
- Undermount

Recommended Products/Accessories

- K-8801 Sink drain and strainer with tailpiece
- K-8799 Sink drain and strainer basket
- K-11352 Disposal Flange with Stopper
- K-9000 P-Trap
- 1411886 Undermount sink kit 23"
- K-23726 Drain treatment
- K-23725 Cast iron cleaner

Included Components

- K-6163 Right-Bowl Sink Rack
- K-6164 Left-Bowl Sink Rack
- K-6165 Cutting Board
- K-6166 Colander

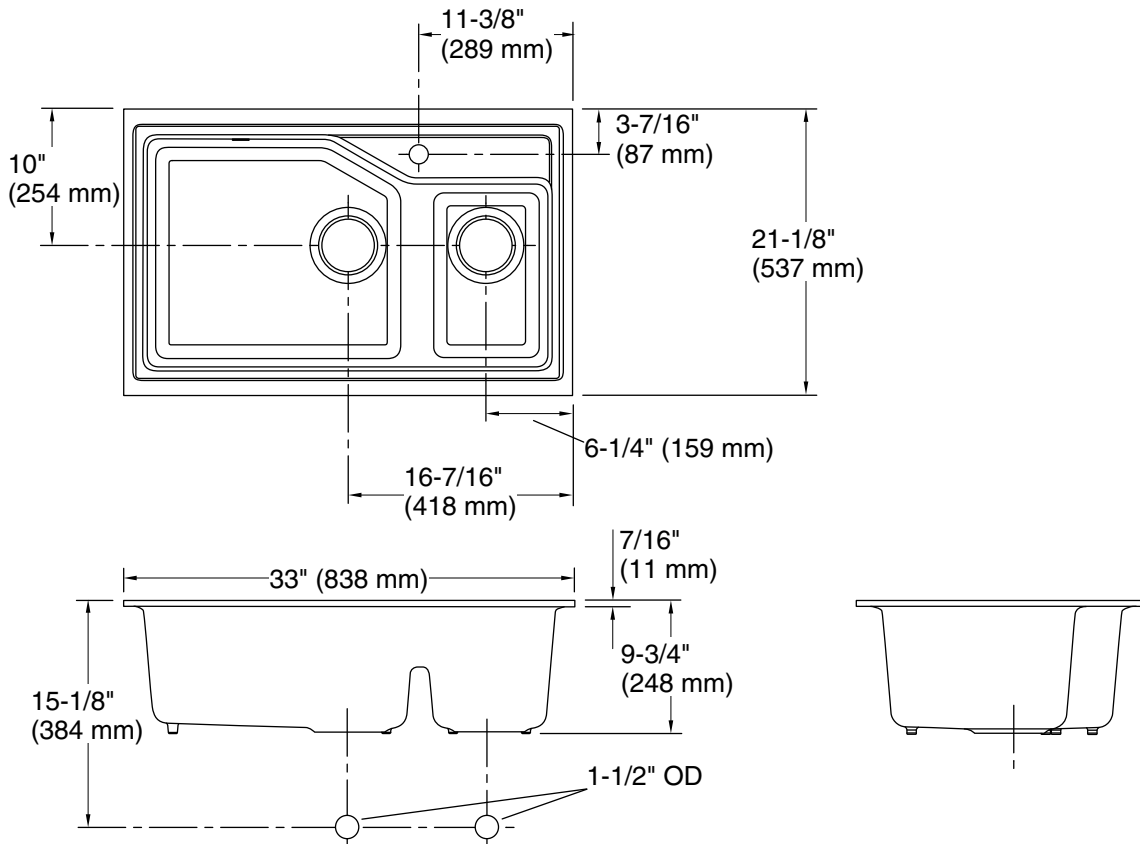


Codes/Standards

ASME A112.19.1/CSA B45.2

KOHLER® Enameled Cast Iron Kitchen and Bathroom Sink Lifetime Limited Warranty

See website for detailed warranty information.



Technical Information

All product dimensions are nominal.

Basin configuration: Large Bowl on Left

Min. base cabinet width: 36" (914 mm)

Bowl area (Left): Length: 18-15/16" (481 mm)
Width: 16-3/4" (425 mm)
Bowl depth: 9" (229 mm)
Water depth: 9" (229 mm)

Bowl area (Right): Length: 8-11/16" (221 mm)
Width: 13-1/2" (343 mm)
Bowl depth: 9" (229 mm)
Water depth: 9" (229 mm)

Number of deck holes: 1

Faucet hole(s): 1-3/8" (35 mm)

Drain hole: 3-7/8" (98 mm)

Template: 1106715-7, required, included

Notes

Install this product according to the installation instructions.

NOTICE: The countertop manufacturer or cutter must use the cut-out template provided with the product, or a current one provided by the Kohler Co. (Call 1-800-4-KOHLER.) Kohler Co. is not responsible for cut-out errors when the incorrect cut-out template is used.