



# Memoirs® Stately

One-piece compact elongated toilet with skirted trapway, 1.28 gpf  
K-6428

## Features

- One-piece toilets integrate the tank and bowl into a seamless, easy-to-clean design
- Compact elongated bowl offers added comfort while occupying the same space as a round-front bowl
- Comfort Height® feature offers chair-height seating that makes sitting down and standing up easier for most adults
- Skirted trapway simplifies cleaning
- Left-hand Polished Chrome trip lever
- Patented ReadyLock® installation system, a simple solution for skirted toilets, saves time, hassle, and eliminates the need to drill into the floor for standard 12" (305 mm) rough-in
- Coordinates with other products in the Memoirs collection
- Easy-to-flush canister design requires less force to actuate than a 3" (76 mm) flapper, and has 90% less exposed seal material which resists conditions that cause wear, tear, shrinkage and swelling
- Eligible for consumer rebates in some municipalities
- Quiet-Close™ compact elongated lid and seat prevents slamming
- Quick-Release™ functionality allows seat to be removed easily from toilet for convenient cleaning
- 1.28 gpf (4.8 lpf)

## Installation

- Supply line sold separately
- Standard 12" (305 mm) rough-in
- 10" and 14" (254 mm and 356 mm) rough-in kits also available

## Recommended Products/Accessories

K-4108 PureWash® E750 Elongated bidet toilet seat with remote control  
K-5381 14" Rough-in Full Skirt Trap and Attachment System  
K-5383 10" Rough-in Full Skirt Trap and Attachment System  
K-9167-L Trip Lever  
1023457 Wax Ring/Hardware Kit  
1265114 Connector Hose  
K-23726 Drain treatment



ADA CSA B651 OBC

## Codes/Standards

ASME A112.19.2/CSA B45.1  
DOE - Energy Policy Act 1992  
EPA WaterSense®  
California Energy Commission (CEC)  
ADA  
ICC/ANSI A117.1  
CSA B651  
OBC  
IAPMO Certification

## KOHLER® Toilets and Seats Limited Warranty

See website for detailed warranty information.

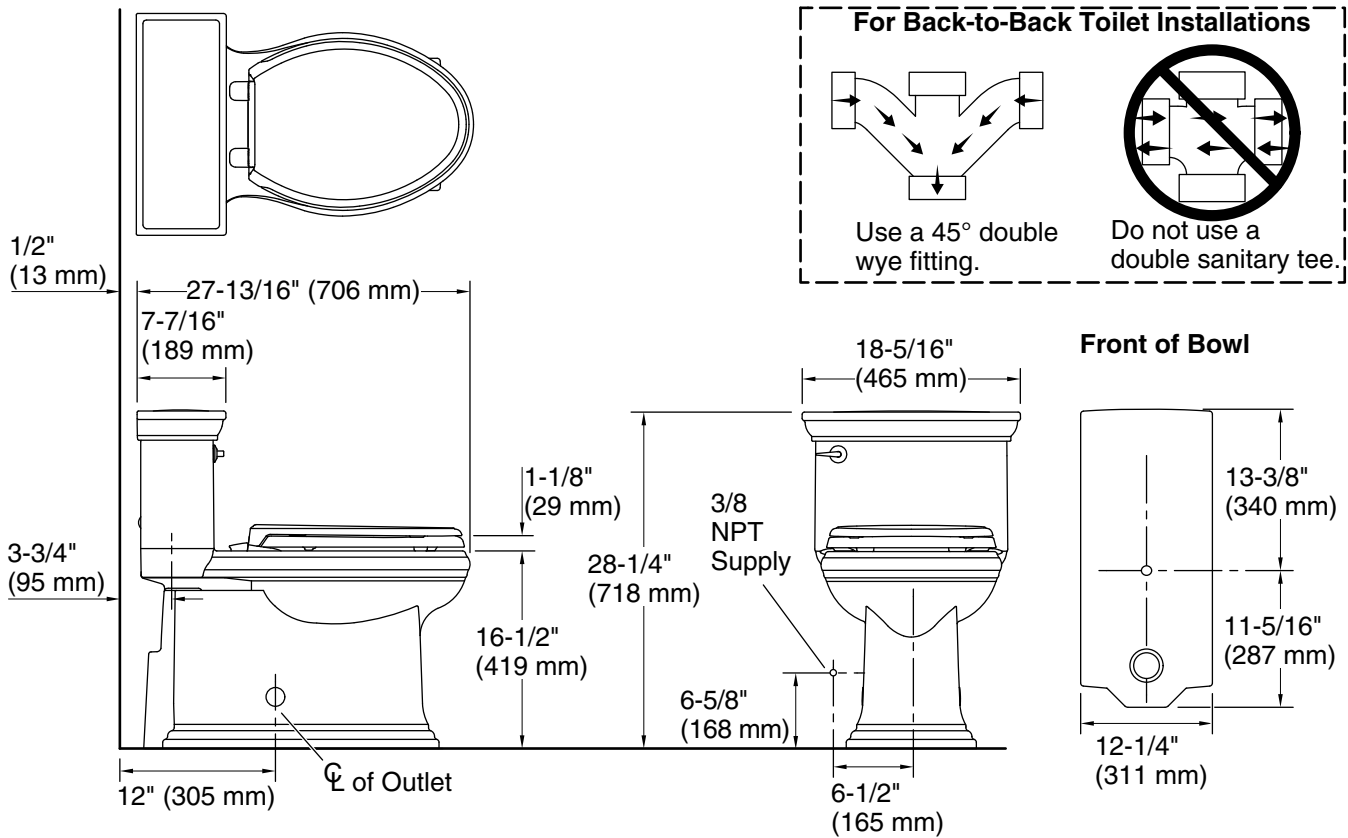
1-800-4KOHLER (1-800-456-4537)

Kohler Co. reserves the right to make revisions without notice to product specifications.

For the most current Specification Sheet, go to [www.kohler.com](http://www.kohler.com) USA or [www.kohler.ca](http://www.kohler.ca) Canada

12-1-2024 23:00 - US/CA

THE BOLD LOOK  
OF **KOHLER**®



### Technical Information

All product dimensions are nominal.

|                       |                                   |
|-----------------------|-----------------------------------|
| Toilet type:          | Floor-mount                       |
| Waste Outlet:         | Floor                             |
| Bowl shape:           | Compact elongated                 |
| Flush type:           | AquaPiston                        |
| Trap passageway:      | 2-1/8" (54 mm)                    |
| Water surface size:   | 9-5/8" x 7-3/8" (244 mm x 187 mm) |
| Rim to water surface: | 5-3/8" (137 mm)                   |
| Rough-in:             | 12" (305 mm)                      |
| Seat-mounting holes:  | 5-1/2" (140 mm)                   |

### Notes

Install this product according to the installation instructions.

For back-to-back toilet installations: Use only a 45° double wye fitting.

ADA, OBC, CSA B651 compliant when installed to the specific requirements of these regulations.

Plumbing codes may require elongated toilets and elongated, open-front seats in public bathrooms.

Accessibility standards may require controls to be located on the open side of the toilet.