

### Features

- Fits in the large bowl of the K-3945 Vault and K-5416 Strive kitchen sinks
- Included with the K-3945 Vault and K-5416 Strive kitchen sinks
- Helps protect sink surface from daily wear
- Dishwasher-safe
- Rubber feet provide added protection

### Material

- Durable stainless steel construction

### Recommended Products/Accessories

- K-3945 Smart Divide® 35-1/2" undermount double-bowl farmhouse kitchen sink
- K-5416 Smart Divide® 35-1/2" undermount double-bowl farmhouse kitchen sink
- K-23729 Stainless steel cleaner



### Codes/Standards


None Applicable

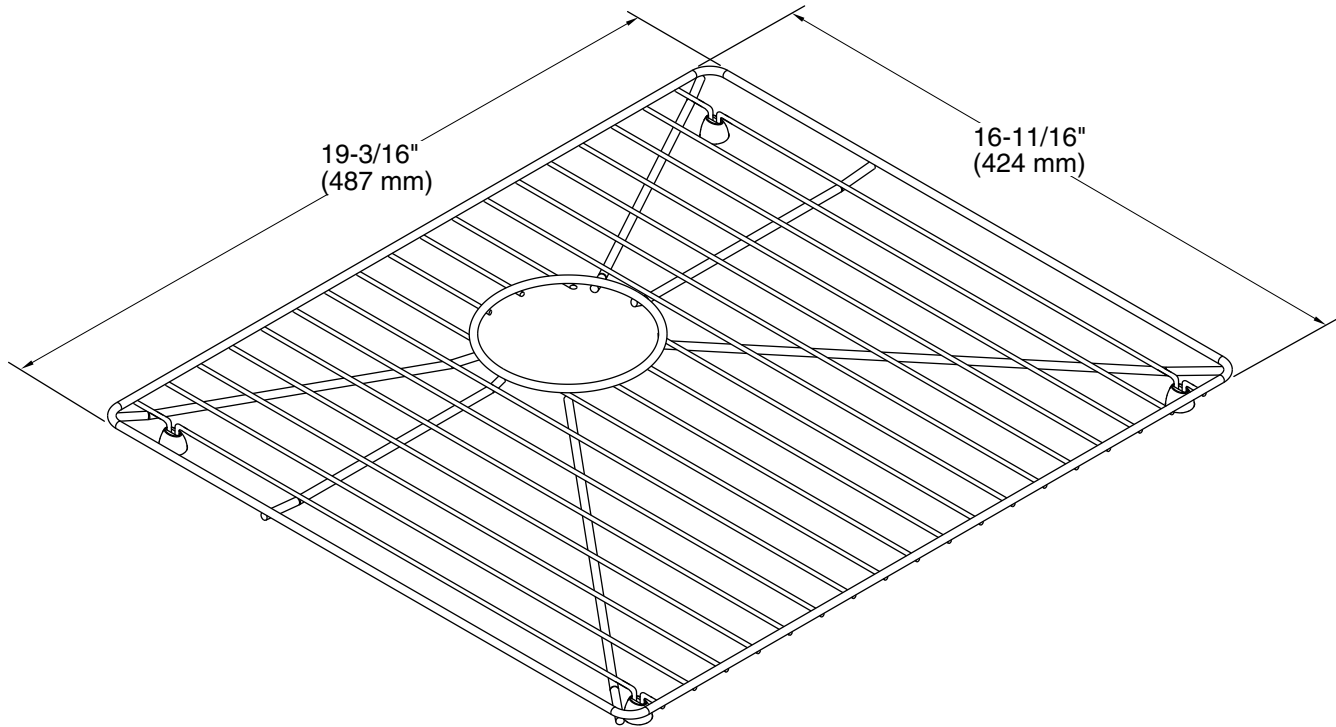
### KOHLER® One-Year Limited Warranty

See website for detailed warranty information.

### Available Colors/Finishes

*Color tiles intended for reference only.*

Color	Code	Description
	ST	Stainless Steel



## Technical Information

All product dimensions are nominal.

Material:                   Stainless Steel