



**Dickinson®**  
33" undermount single-bowl farmhouse kitchen sink  
with short apron  
**K-6546-4U**

### Features

- Fits minimum 33" (838 mm) apron sink base cabinet
- Single bowl
- 8" (203 mm) depth
- Integral apron
- Three oversized faucet holes with one oversized accessory hole to the right
- Oversized holes allow for easy installation of faucets and accessories

### Material

- KOHLER® enameled cast iron

### Installation

- Undermount

### Recommended Products/Accessories

- K-6062 Sink rack
- K-8801 Sink drain and strainer with tailpiece
- K-8799 Sink drain and strainer basket
- K-23726 Drain treatment
- K-23725 Cast iron cleaner

### Optional Products/Accessories

- K-11352 Disposal Flange with Stopper
- K-9000 P-Trap

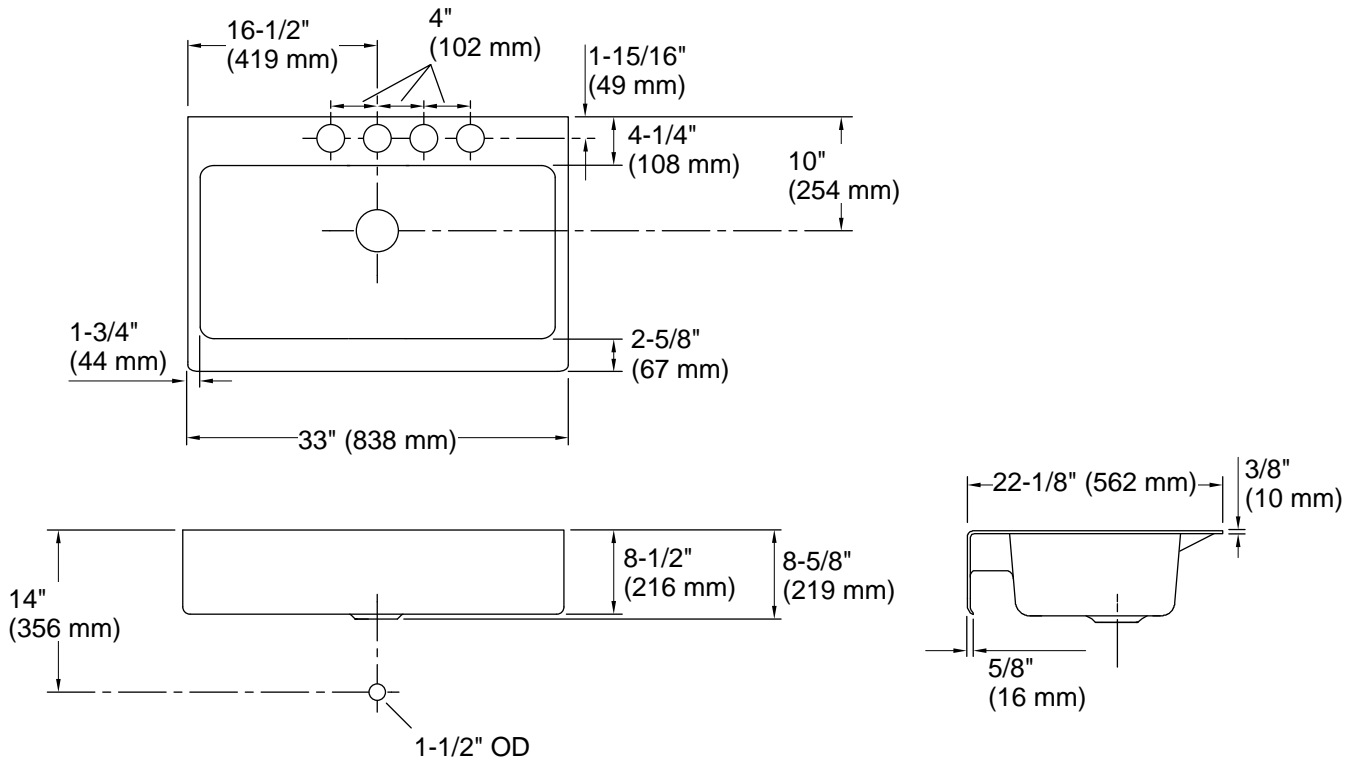


### Codes/Standards

ASME A112.19.1/CSA B45.2  
IAPMO Certification

### KOHLER® Enameled Cast Iron Kitchen and Bathroom Sink Lifetime Limited Warranty

See website for detailed warranty information.



## Technical Information

All product dimensions are nominal.

Basin configuration:	Single Bowl
Basin area (Only):	Length: 29-1/2" (749 mm) Width: 15-1/4" (387 mm) Bowl depth: 8-5/8" (220 mm) Water depth: 8" (203 mm)
Number of deck holes:	4
Faucet hole(s):	2-3/8" (60 mm)

## Notes

Install this product according to the installation instructions.

Due to the special nature of this installation, Kohler Co. recommends that an experienced cabinet maker use the actual sink to build the new cabinet or modify an existing cabinet.

For under-mount installations, allow a 3/4" (19 mm) reveal to support the K-5984 cutting board.