

# KOHLER®

**Dickinson®**  
Apron Front Kitchen Sink  
**K-6546-4**

## Features

- Fits minimum 33" (838 mm) apron sink base cabinet
- Single bowl
- 8" (203 mm) depth
- Integral apron
- Three faucet holes and one accessory hole to the right

## Material

- KOHLER® enameled cast iron

## Installation

- Tile-in apron-front

## Recommended Products/Accessories

- K-6062 Sink rack
- K-8801 Sink drain and strainer with tailpiece
- K-8799 Sink drain and strainer basket
- K-23726 Drain treatment
- K-23725 Cast iron cleaner

## Optional Products/Accessories

- K-11352 Disposal Flange with Stopper
- K-9000 P-Trap



## Codes/Standards

ASME A112.19.1/CSA B45.2  
IAPMO Certification

**KOHLER® Enameled Cast Iron  
Kitchen and Bathroom Sink Lifetime  
Limited Warranty**

See website for detailed warranty information.

**DISCONTINUED** This product has been discontinued.

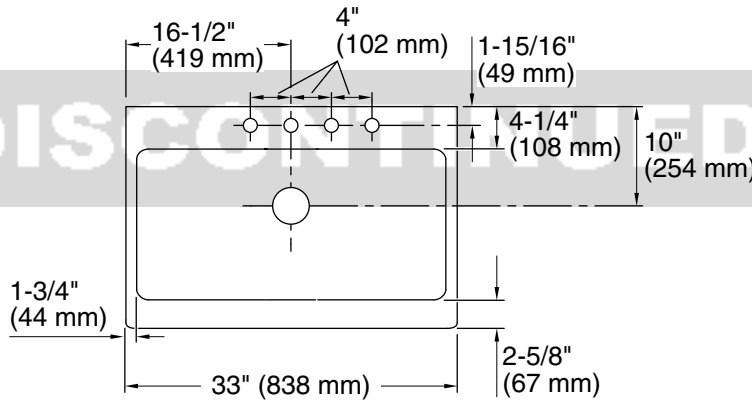
1-800-4KOHLER (1-800-456-4537)

Kohler Co. reserves the right to make revisions without notice to product specifications.

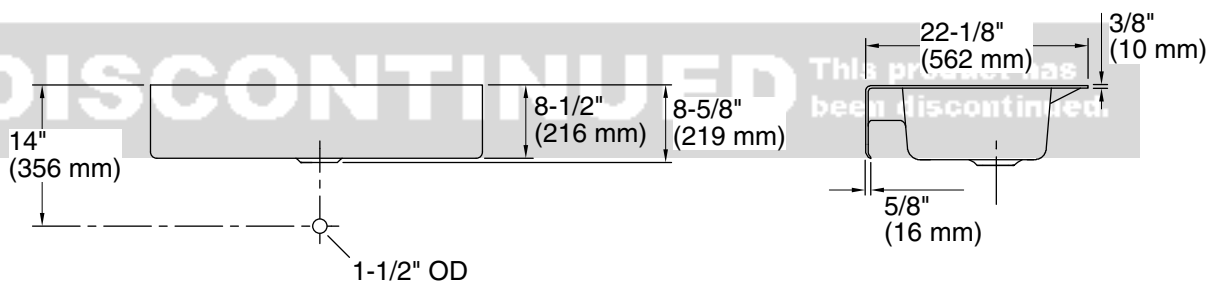
For the most current Specification Sheet, go to [www.kohler.com](http://www.kohler.com) USA or [www.kohler.ca](http://www.kohler.ca) Canada

11-1-2024 23:46 - US/CA

THE BOLD LOOK  
OF **KOHLER®**



This product has been discontinued.



This product has been discontinued.

## Technical Information

All product dimensions are nominal.

Basin configuration: Single Bowl

Bowl area: Length: 30" (762 mm)

Width: 15" (381 mm)

Water depth: 8" (203 mm)

Number of deck holes: 4

Faucet hole(s): 1-3/8" (35 mm)

Drain hole: 3-5/8" (92 mm)

## Notes

Install this product according to the installation instructions.

Due to the special nature of this installation, Kohler Co. recommends that an experienced cabinet maker use the actual sink to build the new cabinet or modify an existing cabinet.