



Wellspring® | K-6666

Beverage faucet with traditional design

Features

- High-arch gooseneck swing spout offers superior clearance for filling pots and cleaning
- 7-5/8" (194 mm) high-arch rotating spout
- 3" (76 mm) spout reach
- Single, right-hand lever handle is simple to use and makes adjusting water volume easy
- Traditional styling
- 1.6 gpm (6.0 lpm) maximum flow rate
- Quarter-turn washerless ceramic disc valves
- For use with Aquifer water filtration system
- Not to be used to deliver hot water or with reverse osmosis filtration systems



1-800-4KOHLER (1-800-456-4537)
Kohler Co. reserves the right to make revisions without notice to product specifications.
For the most current specification sheet, go to www.kohler.com USA or www.kohler.ca Canada.
7-03-2026 10:02 - US-CA

THE BOLD LOOK
OF **KOHLER**®

Codes/Standards

ADA, CSA B651 compliant when installed to the specific requirements of these regulations.

CSA B651

ASME A112.18.1/CSA B125.1
NSF/ANSI/CAN 372
NSF/ANSI/CAN 61
DOE - Energy Policy Act 1992
California Energy Commission (CEC)
NSF/ANSI/CAN 61|NSF/ANSI/CAN 372
ADA
ICC/ANSI A117.1
CSA B651

Warranty

See website for detailed warranty information.

KOHLER® Faucet Lifetime Limited Warranty

Technical Information

All product dimensions are nominal.

Handle

Handle Style/Type: Lever

Spout

Spout Reach: 3" (76 mm)

Flow Rate

Faucet Flow Rate: 1.6 gpm (6.1 l/min)

Material

- Brass
- KOHLER finishes resist corrosion and tarnishing

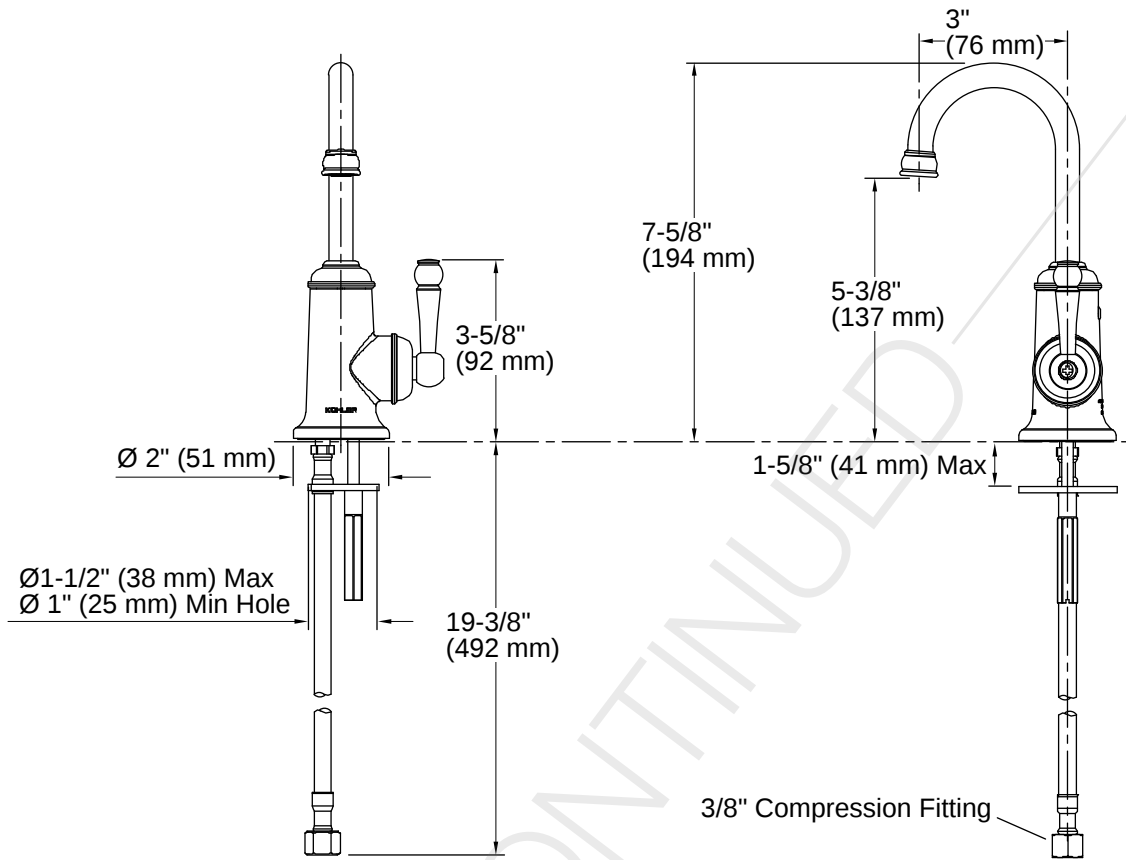
Recommended Products/Accessories

K-23723 Faucet cleaner

K-77685 Single-cartridge water filtration system

K-77686 Double-cartridge water filtration system





Installation

- Single-hole installation

Installation Notes

Install this product according to the installation instructions.

NOTICE: Do not use this product with instant hot water systems or reverse osmosis (RO) filtration systems. Product damage will result.

ADA compliant for faucet handles only

ADA, CSA B651 compliant when installed to the specific requirements of these regulations.

