

### Features

- Frameless design emphasizes glass and creates a sleek, minimalist look
- Dual sliding barn door style
- Innovative roller design with stainless steel bearings simplifies installation and provides out-of-plumb adjustability while glass is installed
- Cushioned center guide provides smooth, quiet sliding action
- Smooth, easy-to-clean wall jambs
- Vertical handles accentuate the contemporary style
- CleanCoat®+ glass coating creates a hydrophobic barrier that repels water, soap scum, and residue, saving time and protecting shower doors 10 times longer than original CleanCoat. (Based on 2021 internal wear/abrasion testing using a microfiber cloth.)
- Tempered glass ensures enhanced safety and durability

### Material

- Frameless, heavy 5/16" (8 mm) thick Crystal Clear tempered glass
- Anodized aluminum prevents rust and corrosion

### Installation

- Fits opening widths 56-5/8" – 59-5/8" (1438 – 1514 mm)
- 77-9/16" (1970 mm) high, with 71-9/16" (1818 mm) minimum head clearance
- Out-of-plumb adjustability simplifies installation
- Door can be installed to open to the left or right to suit your bathroom layout
- Not for use in hospitality
- For residential use only



### Codes/Standards


ANSI Z97.1  
CAN/CGSB-12.1  
CPSC 16CFR 1201

### KOHLER® Bath and Shower Doors Ten-Year Limited Warranty

See website for detailed warranty information.

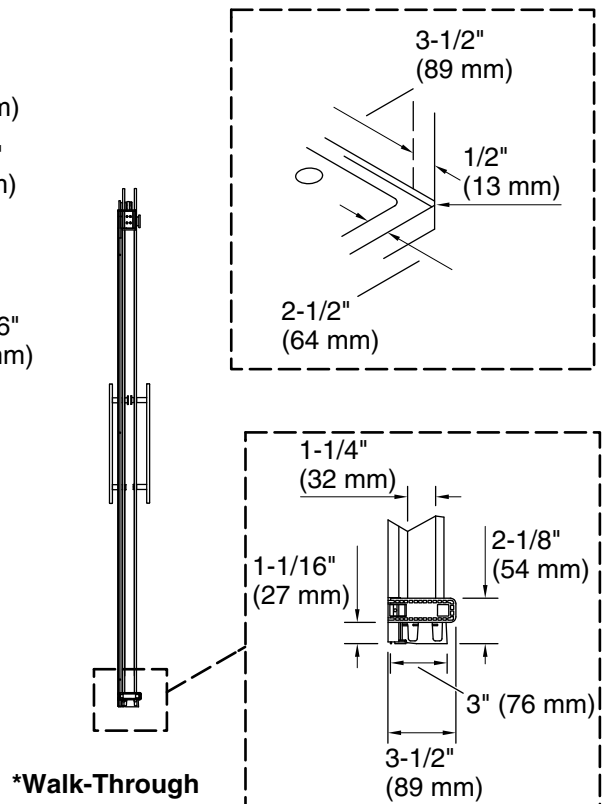
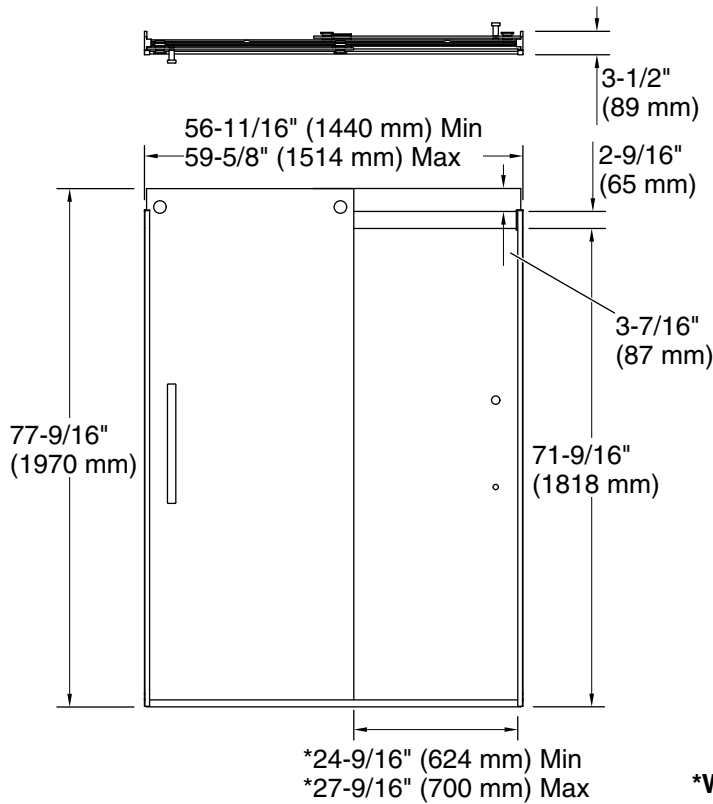
### Available Colors/Finishes

*Color tiles intended for reference only.*

Color	Code	Description
	SHP	Bright Polished Silver
	BL	Matte Black
	BNK	Anodized Brushed Nickel

### Available Glass Options

Code	Description
L	Crystal Clear



### Technical Information

All product dimensions are nominal.

- Base-To-Wall 1/2" (13 mm)
- Radius – Max:
- Shower Ledge Min 3" (76 mm)
- Flat:
- Shower Wall Min 3-1/2" (89 mm)
- Flat:

### Notes

The vertical opening should be a minimum of 80-1/2" (2045 mm) to allow for installation clearance.