

Features

- 1/4" (6 mm) thick Crystal Clear tempered glass
- Frameless design emphasizes glass and creates a sleek, minimalist look
- Smooth, quiet operation
- Gently curved inside and outside towel bars complete the look of this door
- Tempered glass ensures enhanced safety and durability
- CleanCoat®+ glass coating creates a hydrophobic barrier that repels water, soap scum, and residue, saving time and protecting shower doors 10 times longer than original CleanCoat. (Based on 2021 internal wear/abrasion testing using a microfiber cloth.)

Material

- Anodized aluminum prevents rust and corrosion

Installation

- Fits opening widths 44-5/8" – 47-5/8" (1133 – 1210 mm)
- Out-of-plumb adjustability simplifies installation
- Door can be installed to open to the left or right to suit your bathroom layout
- For residential use only
- Not for use in hospitality



Codes/Standards

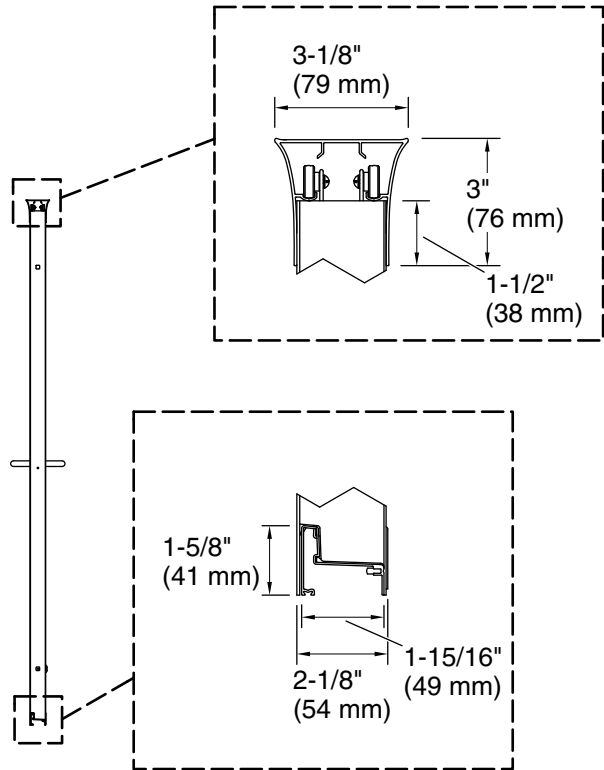
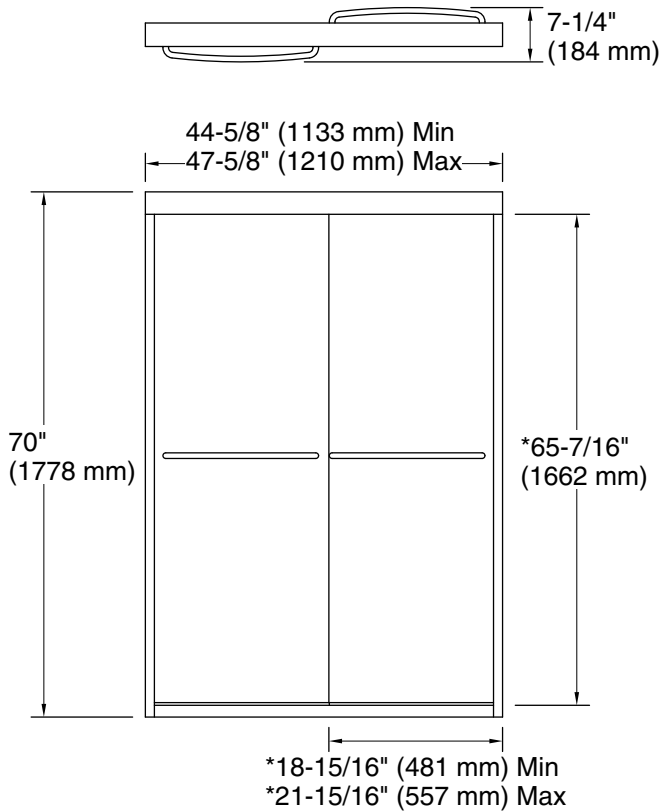
ANSI Z97.1
CAN/CGSB-12.1
CPSC 16CFR 1201

KOHLER® Bath and Shower Doors Ten-Year Limited Warranty

See website for detailed warranty information.

Available Glass Options

Code	Description
L	Crystal Clear



***Walk-through**

Technical Information

All product dimensions are nominal.

Base-To-Wall	1/2" (13 mm)
Radius – Max:	
Shower Ledge Min	2-1/8" (54 mm)
Flat:	
Shower Wall Min	3-1/8" (79 mm)
Flat:	

Notes

Install this product according to the installation instructions.

The vertical opening should be a minimum of 72-1/4" (1835 mm) to allow for installation clearance.