

Features

- Frameless, 1/4" (6 mm) thick Falling Lines tempered glass
- CleanCoat®+ glass coating creates a hydrophobic barrier that repels water, soap scum, and residue, saving time and protecting shower doors 10 times longer than original CleanCoat. (Based on 2021 internal wear/abrasion testing using a microfiber cloth.)
- Tempered glass ensures enhanced safety and durability

Technology

- Inside and outside solid-brass pull handles
- Two roller-compression latches ensure smooth, secure closure

Installation

- Out-of-plumb adjustability simplifies installation
- Door can be installed to open to the left or right to suit your bathroom layout
- Not for use in hospitality



Codes/Standards

ANSI Z97.1
CAN/CGSB-12.1
CPSC 16CFR 1201

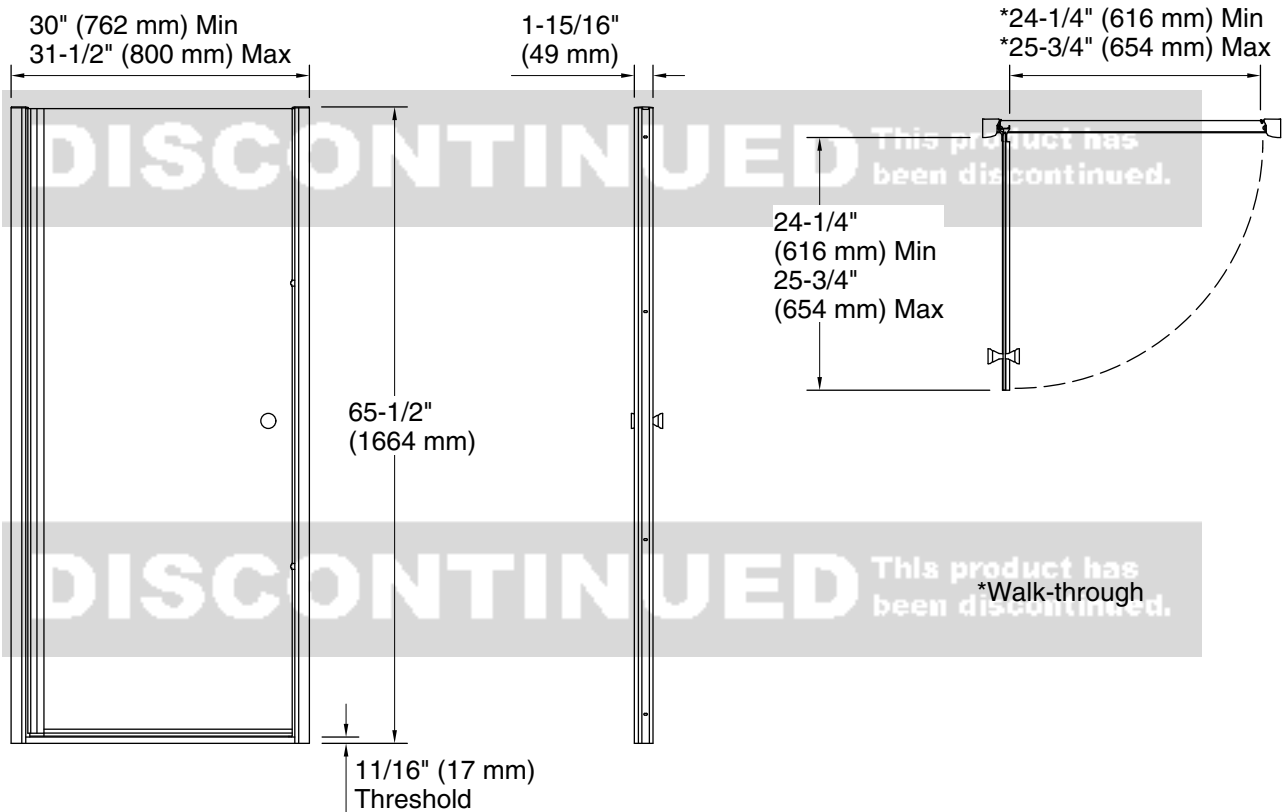
KOHLER® Bath and Shower Doors Ten-Year Limited Warranty

See website for detailed warranty information.

Available Glass Options

Code	Description
G54	Falling Lines

DISCONTINUED This product has been discontinued.



Technical Information

All product dimensions are nominal.

- Base-To-Wall 1/2" (13 mm)
- Radius – Max:
- Shower Ledge Min 2-1/8" (54 mm)
- Flat:
- Shower Wall Min 1-1/2" (38 mm)
- Flat:

Notes

Install this product according to the installation instructions.

The vertical opening should be a minimum of 66" (1676 mm) to allow for installation clearance.