

### Features

- Frameless design emphasizes glass and creates a sleek, minimalist look
- Innovative roller design with stainless steel bearings simplifies installation and provides out-of-plumb adjustability while glass is installed
- Interior and exterior towel bars provide integrated storage on the doors
- Cushioned center guide provides smooth, quiet sliding action
- CleanCoat®+ glass coating creates a hydrophobic barrier that repels water, soap scum, and residue, saving time and protecting shower doors 10 times longer than original CleanCoat. (Based on 2021 internal wear/abrasion testing using a microfiber cloth.)
- Smooth, easy-to-clean wall jambs
- Tempered glass ensures enhanced safety and durability

### Material

- Frameless, heavy 5/16" (8 mm) thick Crystal Clear tempered glass
- Anodized aluminum prevents rust and corrosion

### Installation

- Fits opening widths 56-5/8" – 59-5/8" (1438 –1514 mm)
- 61-9/16" (1564 mm) high, with 55-9/16" (1411 mm) minimum head clearance
- 3" (76.2 mm) width adjustment
- Out-of-plumb adjustability simplifies installation
- For residential use only
- Not for use in hospitality



### Codes/Standards

ANSI Z97.1  
CAN/CGSB-12.1  
CPSC 16CFR 1201

### KOHLER® Bath and Shower Doors Ten-Year Limited Warranty

See website for detailed warranty information.

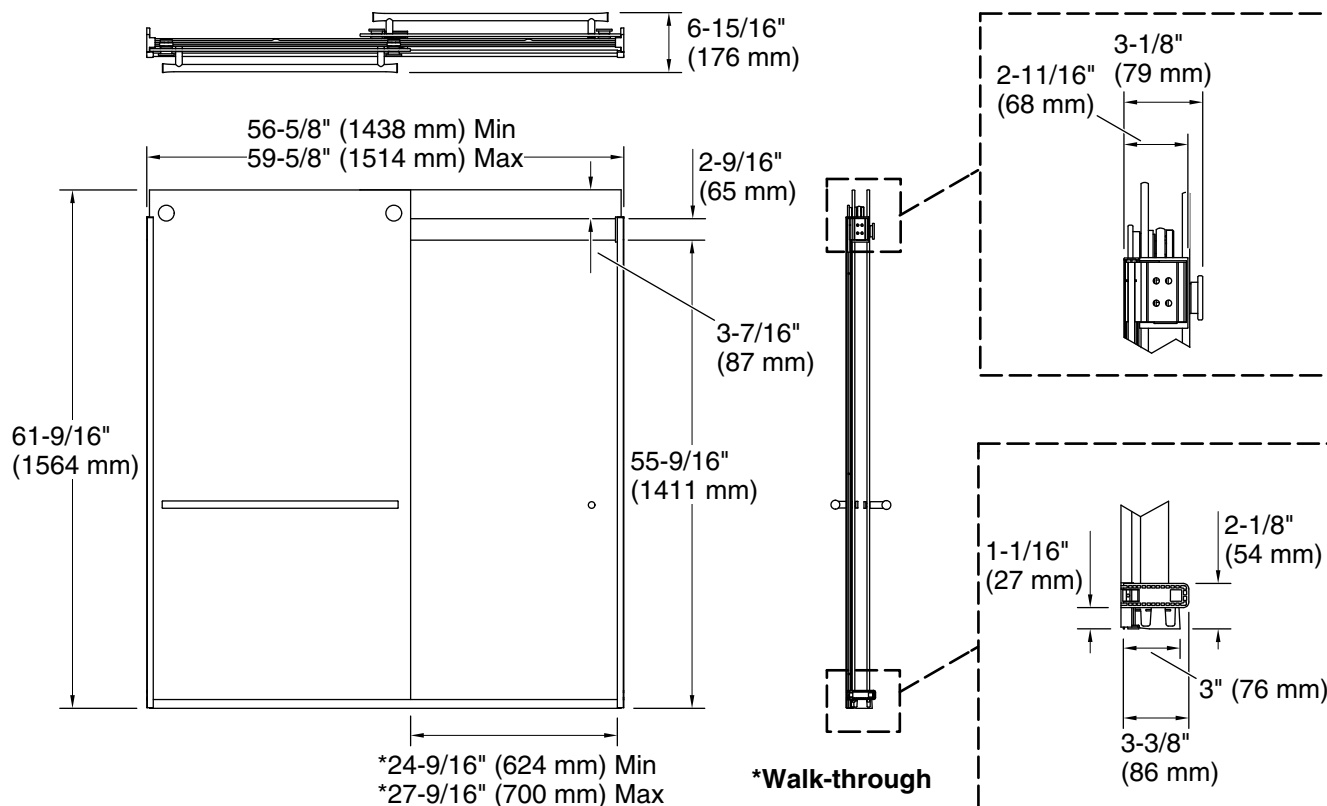
### Available Colors/Finishes

*Color tiles intended for reference only.*

| Color   | Code | Description                    |
|---|------|--------------------------------|
|  | SHP  | Bright Polished Silver         |
|  | 2MB  | Vibrant® Brushed Moderne Brass |
|  | BL   | Matte Black                    |
|  | BNK  | Anodized Brushed Nickel        |

### Available Glass Options

| Code | Description   |
|------|---------------|
| L    | Crystal Clear |



### Technical Information

All product dimensions are nominal.

|                  |                |
|------------------|----------------|
| Base-To-Wall     | 1/2" (13 mm)   |
| Radius – Max:    |                |
| Shower Ledge Min | 3" (76 mm)     |
| Flat:            |                |
| Shower Wall Min  | 3-1/2" (89 mm) |
| Flat:            |                |

### Notes

Install this product according to the installation instructions.

The vertical opening should be a minimum of 64-1/2" (1639 mm) to allow for installation clearance.