

### Features

- CleanCoat®+ glass coating creates a hydrophobic barrier that repels water, soap scum, and residue, saving time and protecting shower doors 10 times longer than original CleanCoat. (Based on 2021 internal wear/abrasion testing using a microfiber cloth.)
- Includes glass, handle, and hardware components
- Coordinates with Pinstripe faucets, accessories, and showering components to complete your bathroom
- Tempered glass ensures enhanced safety and durability

### Material

- Frameless, 3/8" (10 mm) thick Crystal Clear tempered glass

### Technology

- Includes sidelite panel

### Installation

- Out-of-plumb adjustability simplifies installation
- Door can be installed to open to the left or right to suit your bathroom layout
- Not for use in hospitality
- For residential use only



### Codes/Standards

ANSI Z97.1  
CAN/CGSB-12.1  
CPSC 16CFR 1201

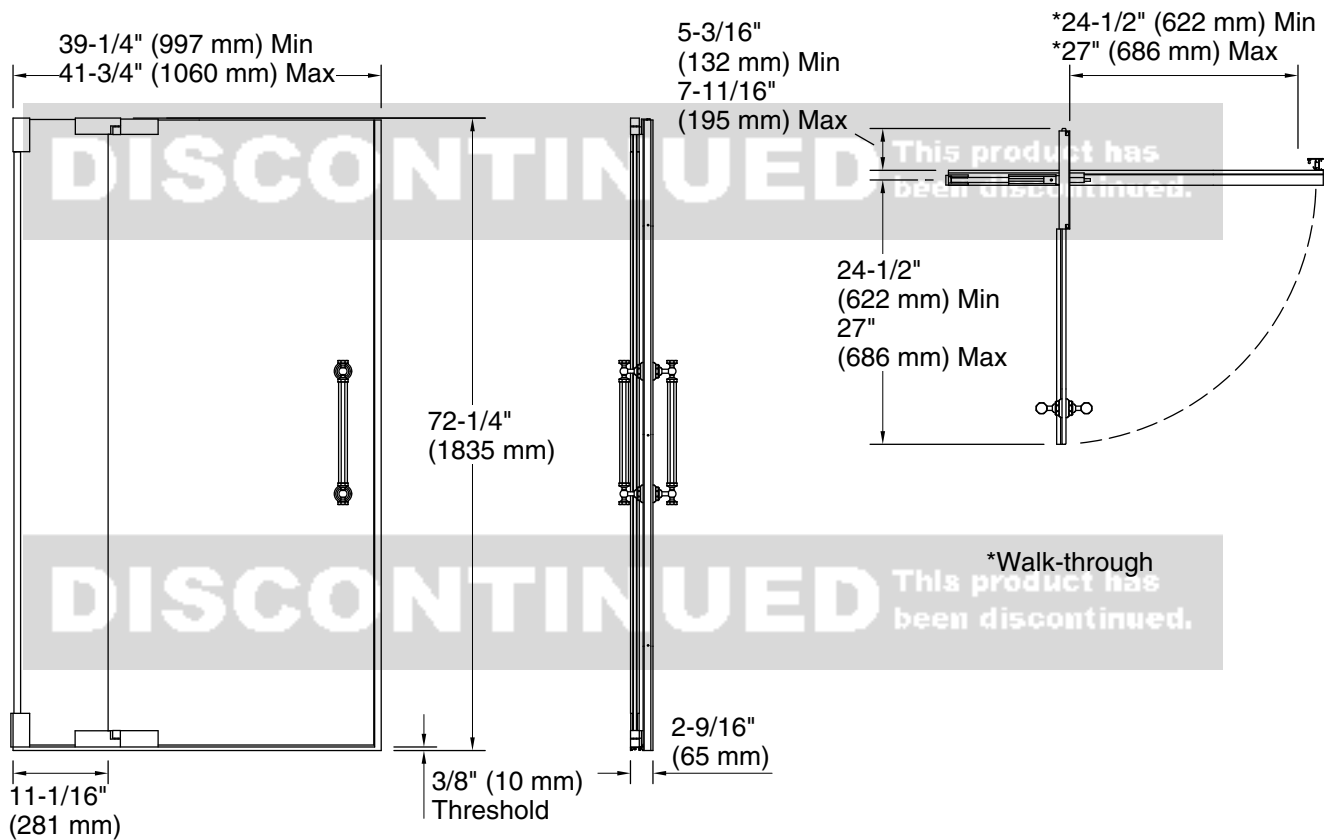
### KOHLER® Bath and Shower Doors Ten-Year Limited Warranty

See website for detailed warranty information.

### Available Glass Options

Code	Description
L	Crystal Clear

**DISCONTINUED** This product has been discontinued.



### Technical Information

All product dimensions are nominal.

Base-To-Wall 3/8" (10 mm)

Radius – Max:

### Notes

Install this product according to the installation guide.

The vertical opening should be a minimum of 74-1/4" (1886 mm) to allow for installation clearance.