

Finial® | K-705739-L

39-1/4"-41-3/4" W x 72-1/4" H pivot shower door with 1/2"-thick Crystal Clear glass

Features

- Frameless, 1/2" (12 mm) thick Crystal Clear tempered glass
- CleanCoat®+ glass coating creates a hydrophobic barrier that repels water, soap scum, and residue, saving time and protecting shower doors 10 times longer than original CleanCoat. (Based on 2021 internal wear/abrasion testing using a microfiber cloth.)
- Includes glass, handle, and hardware components
- Coordinates with Finial Traditional faucets, accessories, and showering components to complete your bathroom
- Tempered glass ensures enhanced safety and durability



Codes/Standards

ANSI Z97.1 (Tempered Glass)
CAN/CGSB-12.1
CPSC 16CFR 1201

Technical Information

All product dimensions are nominal.

Base-To-Wall Radius - Maximum: 3/8" (10 mm)

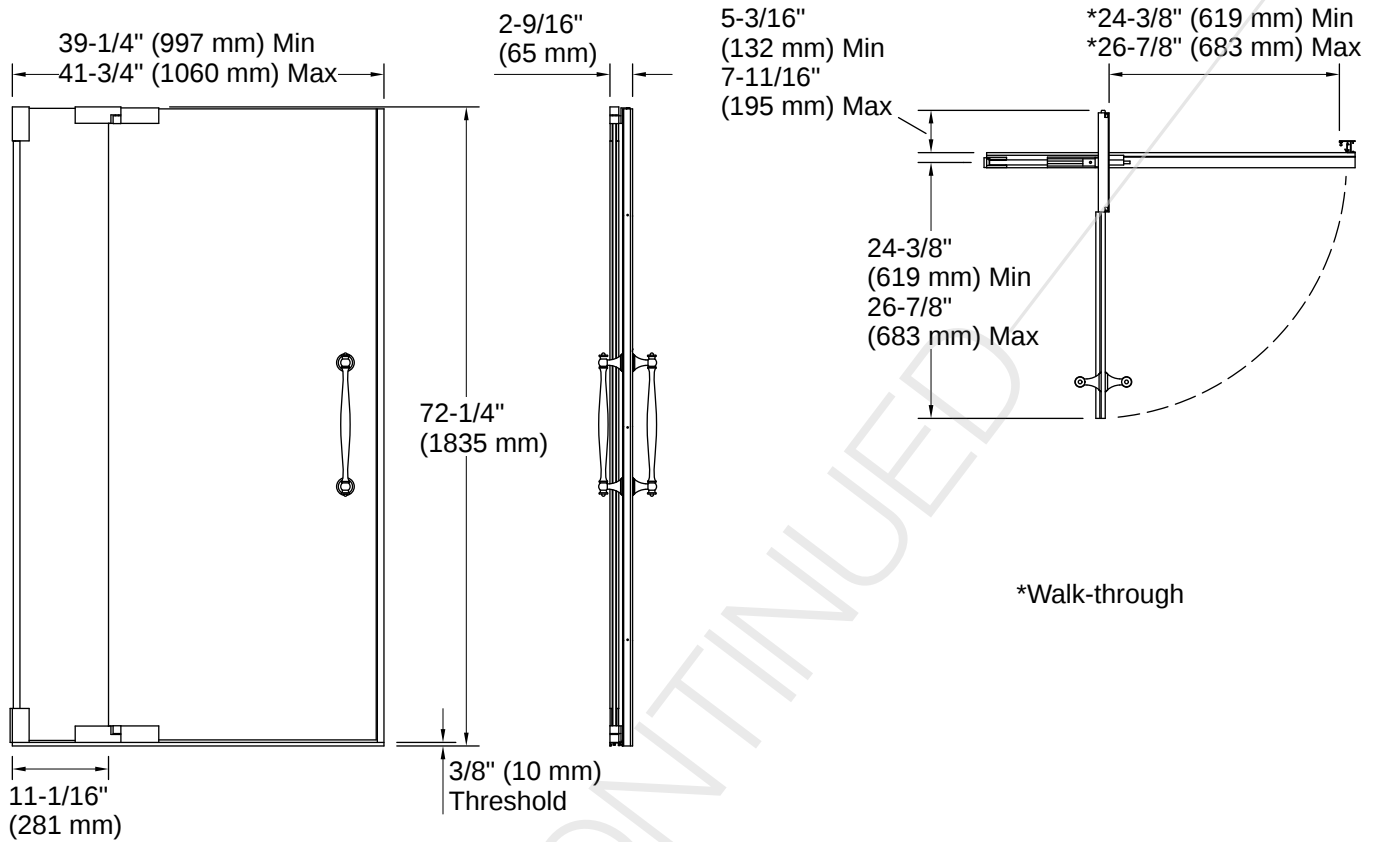
Warranty

See website for detailed warranty information.

KOHLER® Bath and Shower Doors Ten-Year Limited Warranty

DISCONTINUED





Installation

- Out-of-plumb adjustability simplifies installation
- Door can be installed to open to the left or right to suit your bathroom layout
- Not for use in hospitality
- For residential use only

Installation Notes

Install this product according to the installation instructions.

The vertical opening should be a minimum of 74-1/4" (1886 mm) to allow for installation clearance.

