

Features

- Innovative roller design simplifies installation and provides out-of-plumb adjustability while glass is installed
- Cushioned center guide provides smooth, quiet sliding action
- Vertical blade handles accentuate the contemporary style
- CleanCoat®+ glass coating creates a hydrophobic barrier that repels water, soap scum, and residue, saving time and protecting shower doors 10 times longer than original CleanCoat. (Based on 2021 internal wear/abrasion testing using a microfiber cloth.)
- Tempered glass ensures enhanced safety and durability

Material

- Frameless, 3/8" (10 mm) thick Crystal Clear tempered glass

Installation

- Sliding bath door
- Not for use in hospitality
- For residential use only

Recommended Replacements

- This product is replaced by 702425-L.



Codes/Standards

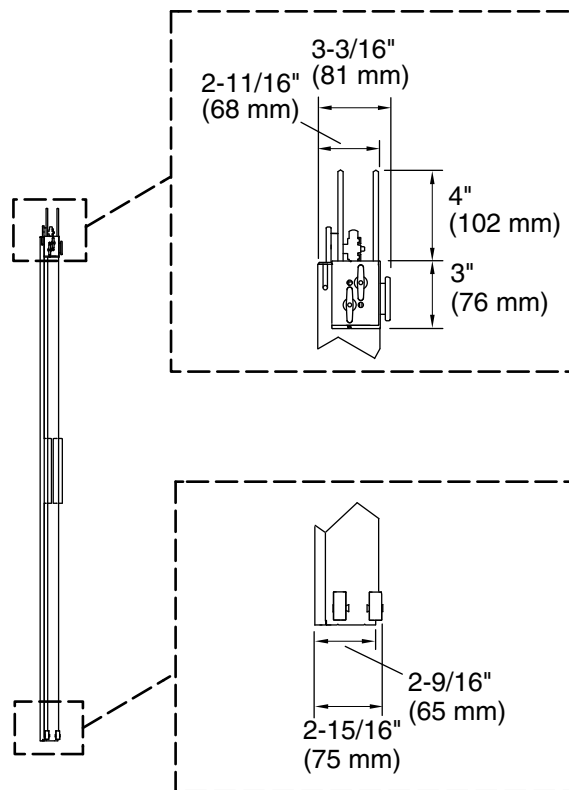
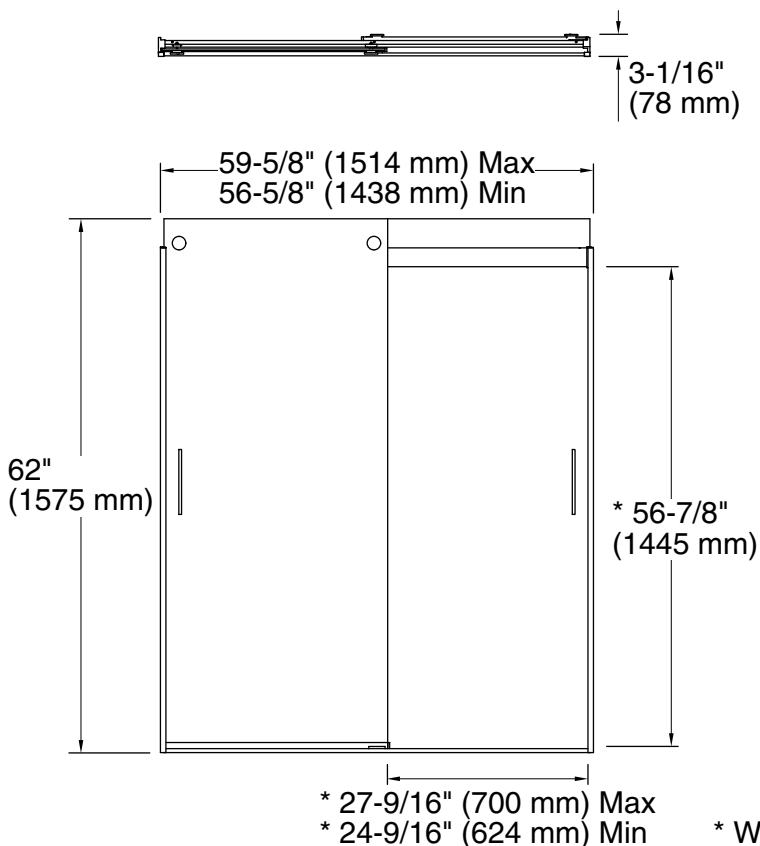
ANSI Z97.1
CAN/CGSB-12.1
CPSC 16CFR 1201

KOHLER® Bath and Shower Doors Ten-Year Limited Warranty

See website for detailed warranty information.

Available Glass Options

Code	Description
L	Crystal Clear



* Walk-through

Technical Information

All product dimensions are nominal.

Base-To-Wall	1/2" (13 mm)
Radius – Max:	
Shower Ledge Min	3" (76 mm)
Flat:	
Shower Wall Min	3-1/2" (89 mm)
Flat:	

Notes

Install this product according to the installation guide.

If replacing a shower door, the narrow wall jamb design of this door may not cover the existing shower door holes.

The vertical opening should be a minimum of 64-1/2" (1638 mm) to allow for installation clearance.