

Features

- Frameless 1/4" (6 mm) thick frosted tempered glass
- Innovative roller design simplifies installation and provides out-of-plumb adjustability while glass is installed
- Cushioned center guide provides smooth, quiet sliding action
- Gently curved towel bars, inside and outside, provide integrated storage on the door
- CleanCoat®+ glass coating creates a hydrophobic barrier that repels water, soap scum, and residue, saving time and protecting shower doors 10 times longer than original CleanCoat. (Based on 2021 internal wear/abrasion testing using a microfiber cloth.)
- Tempered glass ensures enhanced safety and durability

Installation

- Sliding bath door
- Not for use in hospitality



Codes/Standards

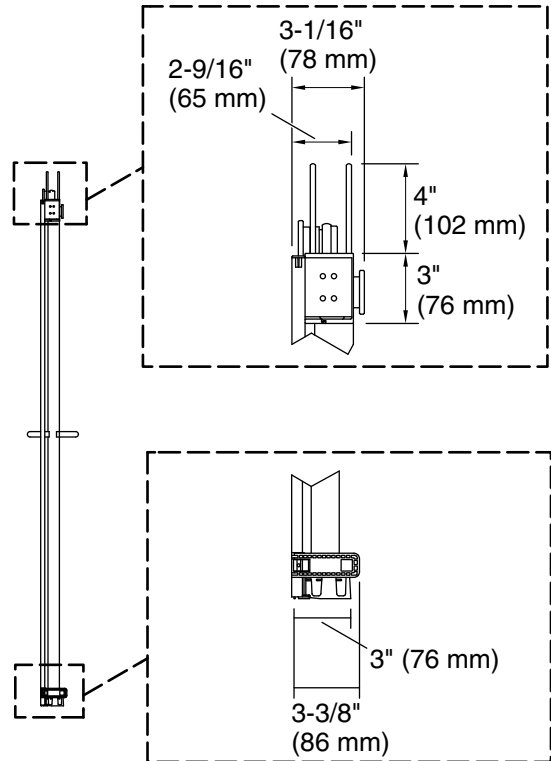
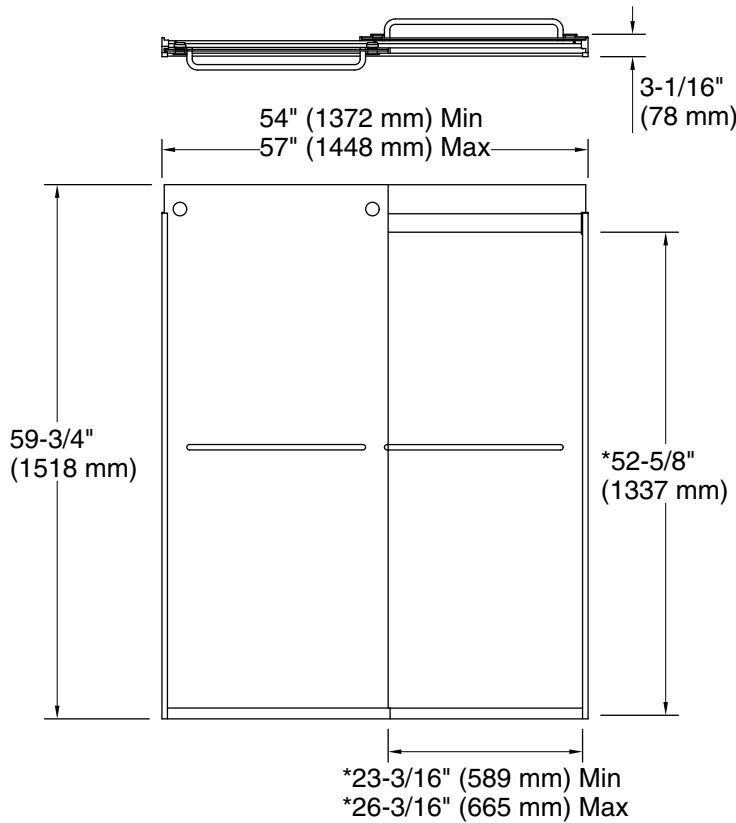
ANSI Z97.1
CAN/CGSB-12.1
CPSC 16CFR 1201

KOHLER® Bath and Shower Doors Ten-Year Limited Warranty

See website for detailed warranty information.

Available Glass Options

| Code | Description |
|------|-------------|
| D3 | Frosted |



*Walk-through

Technical Information

All product dimensions are nominal.

| | |
|------------------|----------------|
| Base-To-Wall | 1/2" (13 mm) |
| Radius – Max: | |
| Shower Ledge Min | 3" (76 mm) |
| Flat: | |
| Shower Wall Min | 3-1/2" (89 mm) |
| Flat: | |

Notes

Install this product according to the installation guide.

If replacing a shower door, the narrow wall jamb design of this door may not cover the existing shower door holes.

The vertical opening should be a minimum of 62-1/4" (1581 mm) to allow for installation clearance.