

### Features

- Sleek, exposed stainless steel roller design allows for effortless opening and closing of the sliding panel
- Frameless design emphasizes glass and creates a sleek, minimalist look
- Full-length magnetic seal keeps door firmly closed, providing excellent water containment
- Back-to-back 11-1/2" (292 mm) vertical handles
- Coordinates with other products in the Composed® collection
- CleanCoat® technology creates a protective barrier that repels water, prevents dirt and minerals from collecting, and makes it easier to remove hard water spots

### Material

- Frameless, heavy 3/8" (10 mm) thick Crystal Clear tempered glass door and in-line panel
- Anodized aluminum prevents rust and corrosion

### Installation

- 78" (1981 mm) high, with a lofty 74-7/8" (1902 mm) minimum head clearance
- Fits opening widths 44-5/8" – 47-7/8" (1133 mm – 1216 mm)
- 3-3/4" (95.25 mm) width adjustment
- Out-of-plumb adjustability simplifies installation
- Door can be installed to open to the left or right to suit your bathroom layout
- Product ships in two boxes, offering easy handling
- For residential use only
- Not for use in hospitality
- Not for use with cast iron shower bases



### Codes/Standards

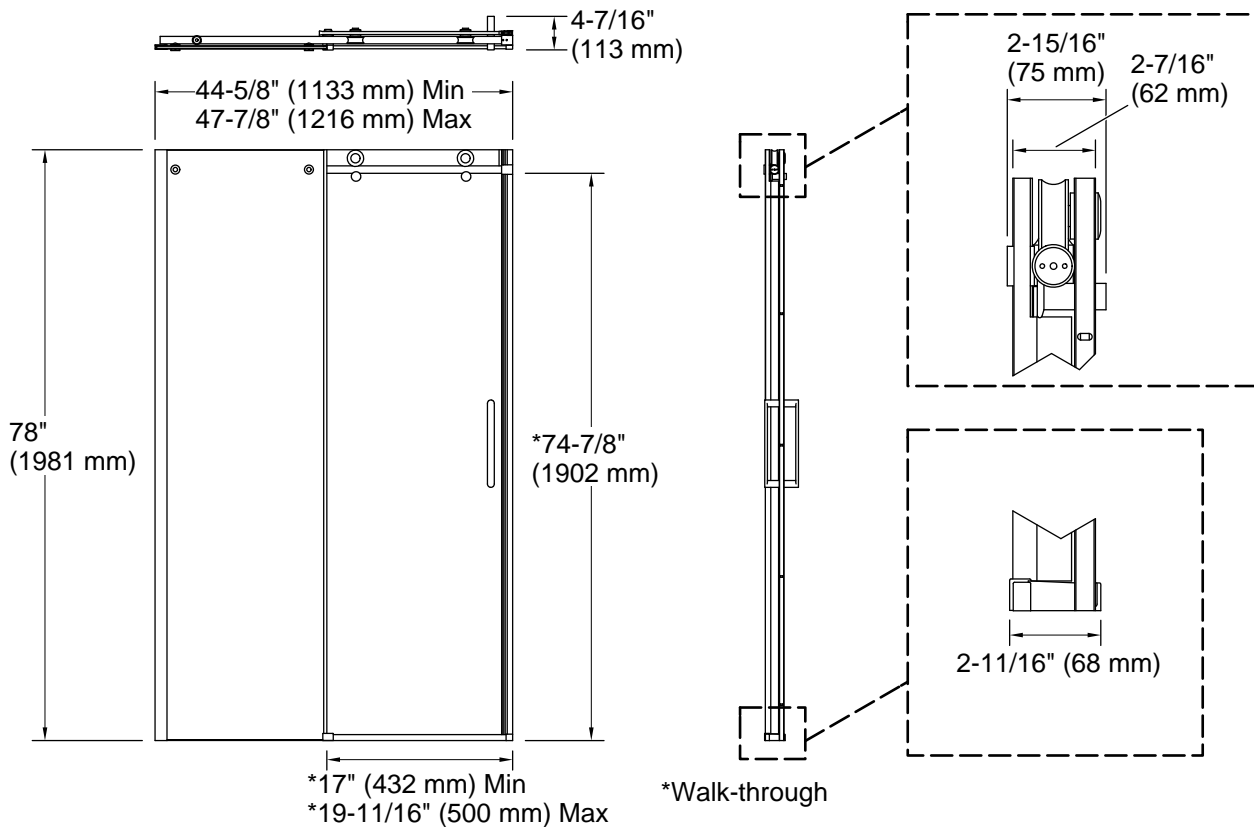
ANSI Z97.1  
CAN/CGSB-12.1  
CPSC 16CFR 1201

### KOHLER® Bath and Shower Doors Ten-Year Limited Warranty

See website for detailed warranty information.

### Available Glass Options

Code	Description
L	Crystal Clear



### Technical Information

All product dimensions are nominal.

Base-To-Wall	3/8" (10 mm)
Radius – Max:	
Shower Ledge Min	2-3/4" (70 mm)
Flat:	
Shower Wall Min	2-3/4" (70 mm)
Flat:	
Wall Studs Required	Yes
for Door:	

### Notes

Install this product according to the installation instructions.

The vertical opening should be a minimum of 80" (2032 mm) to allow for installation clearance.