

Features

- Vertical blade handles accentuate the contemporary style
- CleanCoat®+ glass coating creates a hydrophobic barrier that repels water, soap scum, and residue, saving time and protecting shower doors 10 times longer than original CleanCoat. (Based on 2021 internal wear/abrasion testing using a microfiber cloth.)
- Door tracking system features a hidden, cushioned, center guide for smooth, quiet sliding action
- Innovative roller design simplifies installation and provides out-of-plumb adjustability while glass is installed
- Frameless design emphasizes glass and creates a sleek, minimalist look
- Smooth, easy-to-clean wall jambs
- Tempered glass ensures enhanced safety and durability

Material

- Anodized aluminum prevents rust and corrosion
- Frameless, heavy 5/16" (8 mm) thick Crystal Clear tempered glass

Installation

- Out-of-plumb adjustability simplifies installation
- Door can be installed to open to the left or right to suit your bathroom layout
- Not for use in hospitality
- For residential use only

Recommended Replacements

- This product is replaced by K-702423-L Frameless sliding shower door.



Codes/Standards

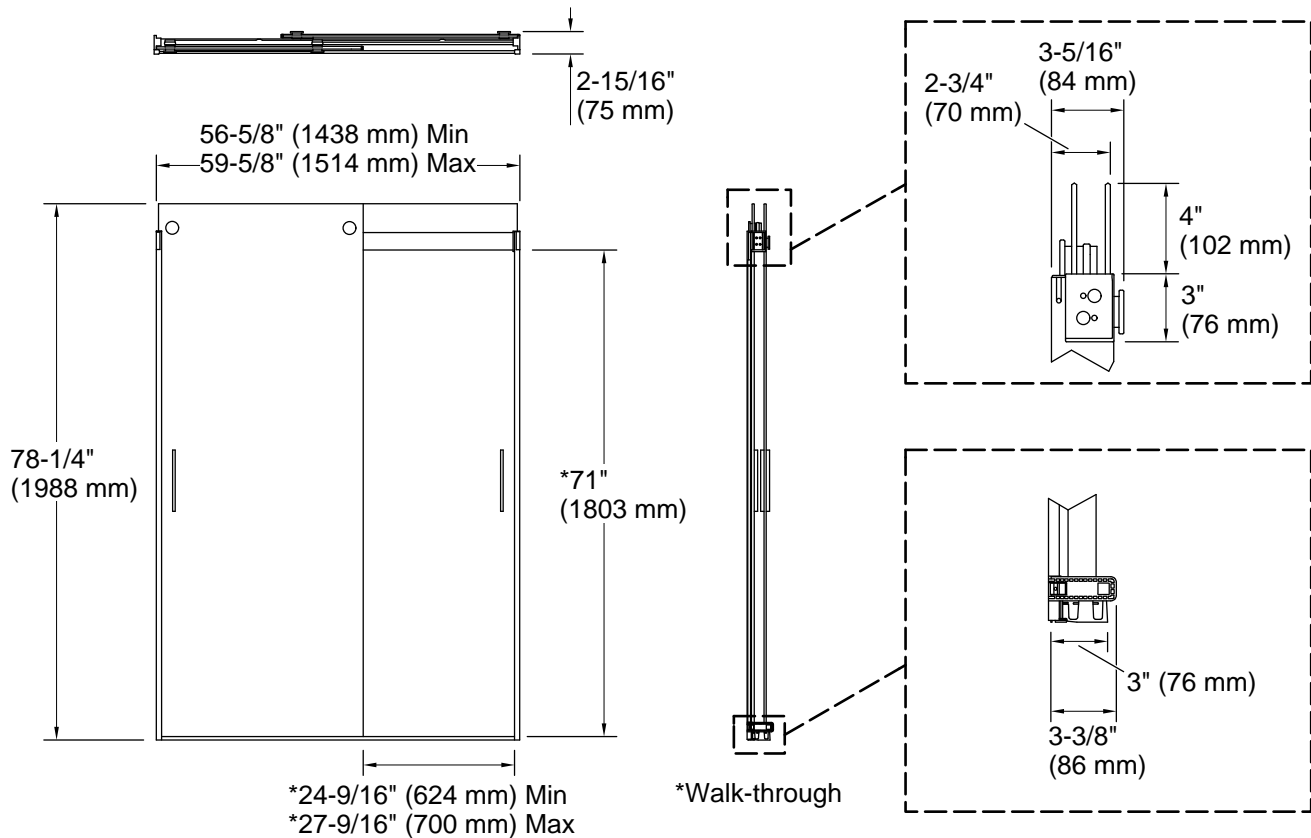
ANSI Z97.1
CAN/CGSB-12.1
CPSC 16CFR 1201
IAPMO Certification

KOHLER® Bath and Shower Doors Ten-Year Limited Warranty

See website for detailed warranty information.

Available Glass Options

Code	Description
L	Crystal Clear



Technical Information

All product dimensions are nominal.

Base-To-Wall 1/2" (13 mm)

Radius – Max:

Notes

Install this product according to the installation instructions.

If replacing a shower door, the narrow wall jamb design of this door may not cover the existing shower door holes.

The vertical opening should be a minimum of 80-1/2" (2045 mm) to allow for installation clearance.