

Features

- Frameless, heavy 5/16" (8 mm) thick Frosted tempered glass
- 63-9/16" (1614 mm) high, with 57-1/2" (1460 mm) minimum head clearance
- Frameless design emphasizes glass and creates a sleek, minimalist look
- Double header conceals wheels and door tracking system while allowing glass panels to rise above the header, giving the door a lofted and airy look
- Stays Closed feature inside the header keeps door firmly closed, providing excellent water containment
- Smooth, easy-to-clean wall jambs
- 16-1/4" (413 mm) vertical handles
- CleanCoat®+ glass coating creates a hydrophobic barrier that repels water, soap scum, and residue, saving time and protecting shower doors 10 times longer than original CleanCoat. (Based on 2021 internal wear/abrasion testing using a microfiber cloth.)
- Innovative roller design simplifies installation and provides out-of-plumb adjustability while glass is installed

Material

- Anodized aluminum prevents rust and corrosion

Installation

- Fits opening widths 54-5/8" – 59-5/8" (1387 – 1514 mm)
- Out-of-plumb adjustability simplifies installation
- Door can be installed to open to the left or right to suit your bathroom layout
- Not for use in hospitality
- For residential use only

Recommended Replacements

- This product is replaced by K-707602-8D3 Frameless sliding bath door.

Codes/Standards

ANSI Z97.1
CAN/CGSB-12.1
CPSC 16CFR 1201

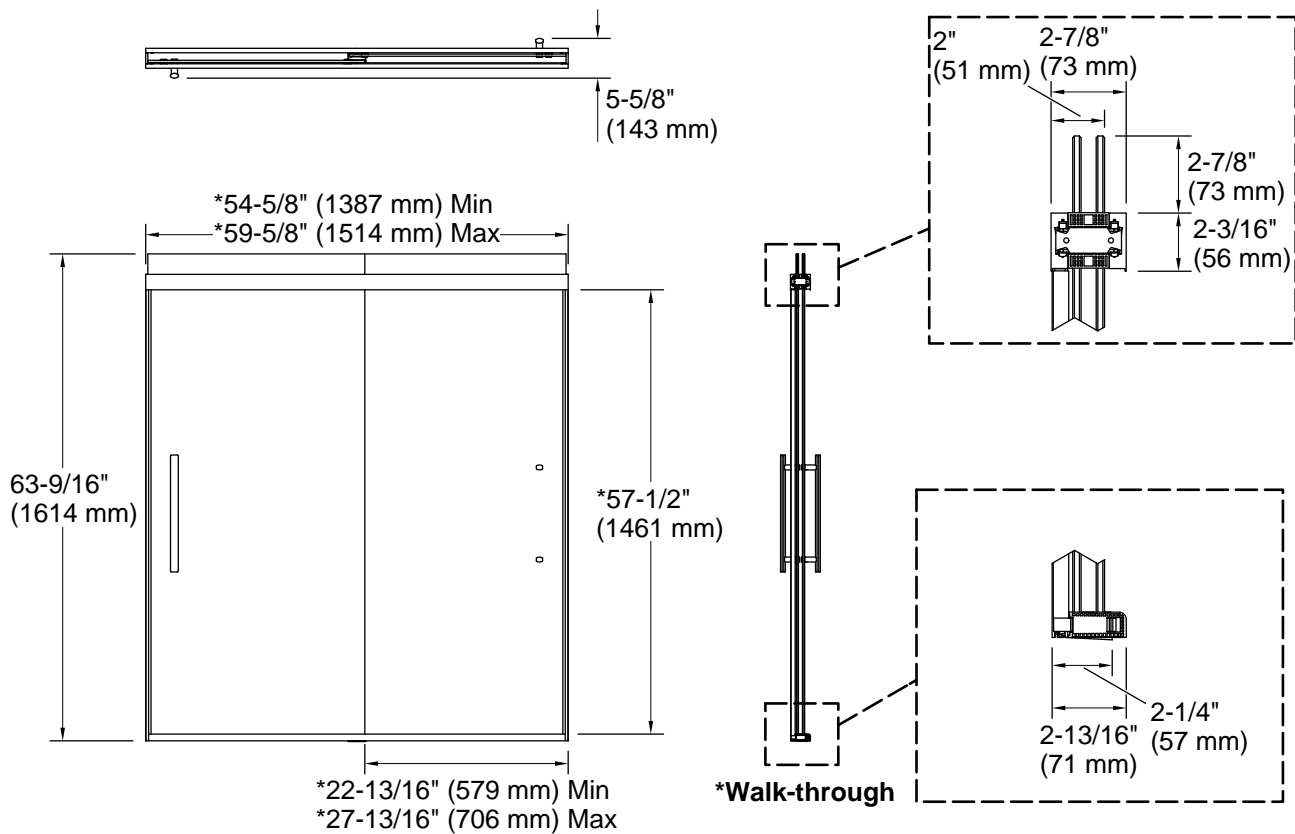
KOHLER® Bath and Shower Doors Ten-Year Limited Warranty

See website for detailed warranty information.

Available Glass Options

Code	Description
------	-------------

D3	Frosted
----	---------



Technical Information

All product dimensions are nominal.

Base-To-Wall	1/4" (6 mm)
Radius – Max:	
Shower Ledge Min	2-3/4" (71 mm)
Flat:	
Shower Wall Min	3-1/16" (78 mm)
Flat:	

Notes

Install this product according to the installation instructions.

If replacing a shower door, the narrow wall jamb design of this door may not cover the existing shower door holes.

This product can only be installed with a corner radius between the shower wall and the shower/bath ledge of 1/4" (6 mm) or less.

The vertical opening should be a minimum of 65-1/2" (1664 mm) to allow for installation clearance.