

Elate® | K-707607-6D3

50-1/4"-53-5/8" W x 70-1/2" H sliding shower door with 1/4"-thick Frosted glass

Features

- Frameless design emphasizes glass and creates a sleek, minimalist look
- Vertical handle with inside knob on moving panel
- Gently-curved towel bar provides integrated storage on fixed panel
- Tempered glass ensures enhanced safety and durability
- CleanCoat®+ glass coating creates a hydrophobic barrier that repels water, soap scum, and residue, saving time and protecting shower doors 10 times longer than original CleanCoat. (Based on 2021 internal wear/abrasion testing using a microfiber cloth.)
- Smooth, easy-to-clean wall jambs
- Full-length moving panel seal provides excellent water containment
- Upgrade to heavy 5/16" (8 mm) thick glass and tall height shower door by selecting K-707614-8G81
- Coordinates with other products in the Elate collection
- Shower door configuration consists of one sliding panel and one stationary panel



Codes/Standards

ANSI Z97.1 (Tempered Glass)
CAN/CGSB-12.1
CPSC 16CFR 1201

Technical Information

All product dimensions are nominal.

Base-To-Wall Radius - Maximum: 1/2" (13 mm)
Shower Ledge Minimum Flat: 2-1/4" (57 mm)
Shower Wall Minimum Flat: 2-7/8" (73 mm)
Weight: 83.49 lbs (37.9 kg)

Material

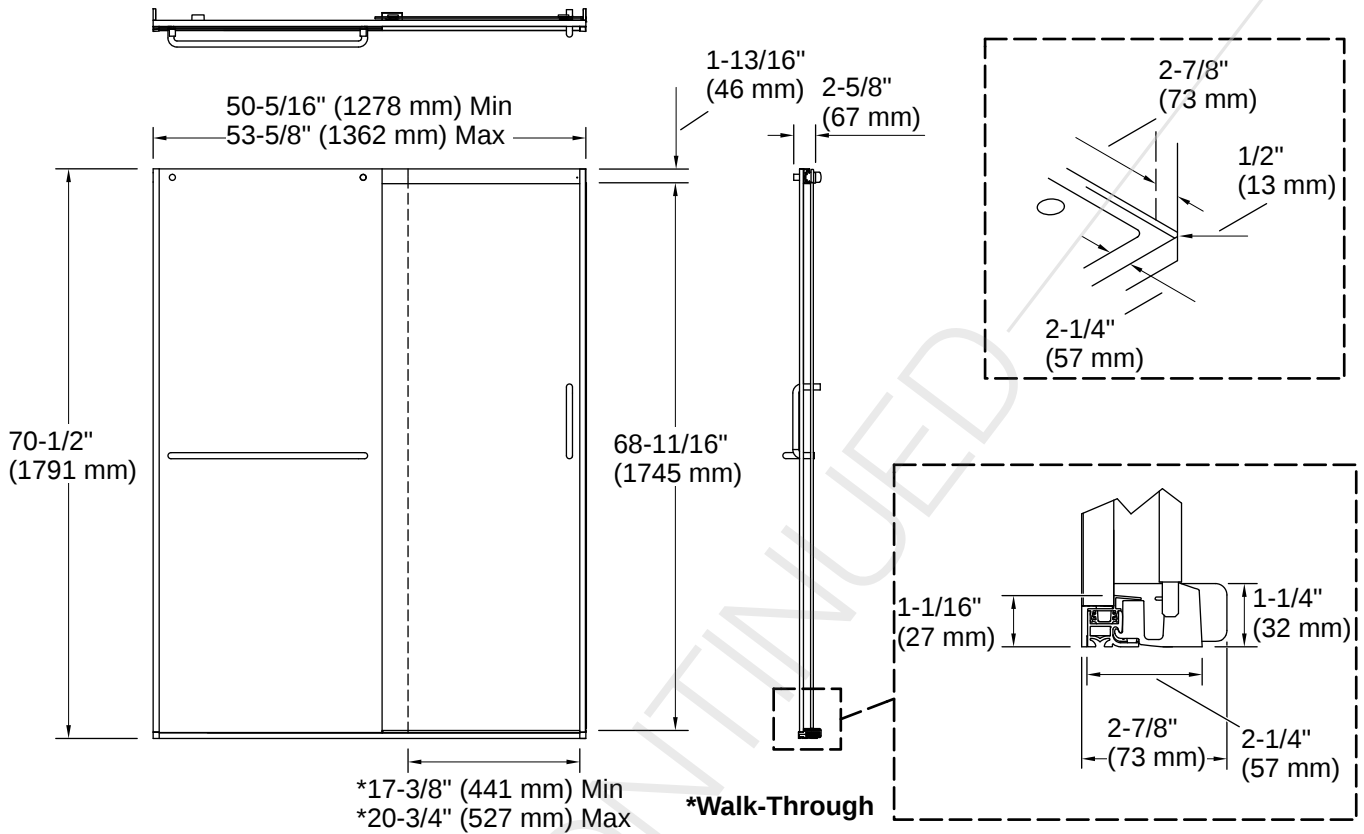
- Frameless, 1/4" (6 mm) thick Frosted tempered glass
 - Anodized aluminum prevents rust and corrosion
-

Warranty

See website for detailed warranty information.

KOHLER® Bath and Shower Doors Ten-Year Limited Warranty





Installation

- Fits opening widths 50-1/4" - 53-5/8" (1276 - 1362 mm)
- 70-1/2" (1791 mm) high, with 67-11/16" (1719 mm) minimum head clearance
- 3-3/8" (86 mm) width adjustment
- Out-of-plumb adjustability simplifies installation
- Door can be installed to open to the left or right to suit your bathroom layout
- For residential use only
- Not for use in hospitality

Installation Notes

Install this product according to the installation instructions.

The vertical opening should be a minimum of 73-13/16" (1875 mm) to allow for installation clearance.

