

## Features

- Frameless design emphasizes glass and creates a sleek, minimalist look
- Vertical handle with inside knob on moving panel
- Gently-curved towel bar provides integrated storage on fixed panel
- Tempered glass ensures enhanced safety and durability
- CleanCoat®+ glass coating creates a hydrophobic barrier that repels water, soap scum, and residue, saving time and protecting shower doors 10 times longer than original CleanCoat. (Based on 2021 internal wear/abrasion testing using a microfiber cloth.)
- Smooth, easy-to-clean wall jambs
- Full-length moving panel seal provides excellent water containment
- Upgrade to heavy 5/16" (8 mm) thick glass and tall height shower door by selecting K-707615-8G79
- Coordinates with other products in the Elate collection
- Shower door configuration consists of one sliding panel and one stationary panel

## Material

- Frameless, 1/4" (6 mm) thick Crystal Clear tempered glass with easy-to-clean rectangular grille design imprinted on surface
- Anodized aluminum prevents rust and corrosion

## Installation

- Fits opening widths 56-1/4" - 59-5/8" (1429 - 1514 mm)
- 70-1/2" (1791 mm) high, with 67-11/16" (1719 mm) minimum head clearance
- 3-3/8" (86 mm) width adjustment
- Out-of-plumb adjustability simplifies installation
- Door can be installed to open to the left or right to suit your bathroom layout
- For residential use only
- Not for use in hospitality



## Codes/Standards

ANSI Z97.1  
CAN/CGSB-12.1  
CPSC 16CFR 1201

## KOHLER® Bath and Shower Doors Ten-Year Limited Warranty

See website for detailed warranty information.

## Available Colors/Finishes

*Color tiles intended for reference only.*

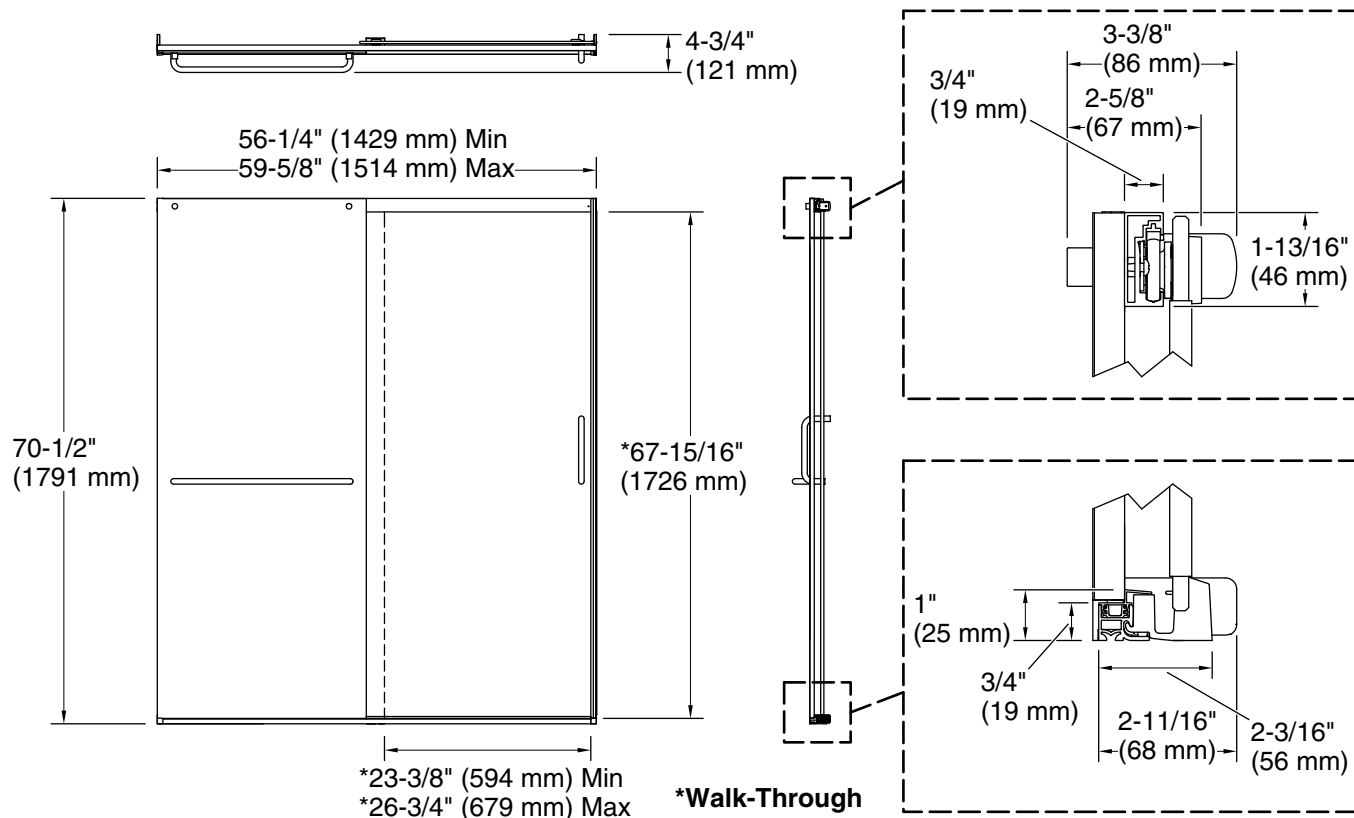
| Color | Code | Description |
|-------|------|-------------|
|-------|------|-------------|

|   |    |             |
|---|----|-------------|
| ■ | BL | Matte Black |
|---|----|-------------|

## Available Glass Options

| Code | Description |
|------|-------------|
|------|-------------|

|     |   |
|-----|---|
| G79 | Crystal Clear with Rectangular Grille Pattern |
|-----|---|



### Technical Information

All product dimensions are nominal.

|                  |                |
|------------------|----------------|
| Base-To-Wall     | 1/2" (13 mm)   |
| Radius – Max:    |                |
| Shower Ledge Min | 2-1/4" (57 mm) |
| Flat:            |                |
| Shower Wall Min  | 2-7/8" (73 mm) |
| Flat:            |                |

### Notes

Install this product according to the installation instructions.

The vertical opening should be a minimum of 73-13/16" (1875 mm) to allow for installation clearance.