



## Iron Works® Historic™ 66" x 36" freestanding oval bath K-710-A

### Features

- Traditional design brings classic, eye-catching style to the bathroom
- Oval basin creates a spacious bathing experience
- Integral lumbar support
- Safeguard® slip-resistant surface provides excellent traction underfoot
- Integral lumbar support

### Material

- KOHLER® enameled cast iron
- Painted exterior surface smoothness can vary from product to product

### Installation

- Reversible drain
- Freestanding

### Required Products/Accessories

K-1103 ball-and-claw feet

### Recommended Products/Accessories

K-1491 Bath/Whirlpool Pillow  
K-1601 Bath/whirlpool footstop, removable  
K-7104 1-1/2" Exposed Bath Drain  
K-7178 Decorative Bath Drain  
K-23726 Drain treatment  
K-23725 Cast iron cleaner



### Codes/Standards

ASME A112.19.1/CSA B45.2  
ASTM F462

### KOHLER® Enameled Cast Iron Bath and Shower Base Lifetime Limited Warranty

See website for detailed warranty information.

**DISCONTINUED** This product has been discontinued.

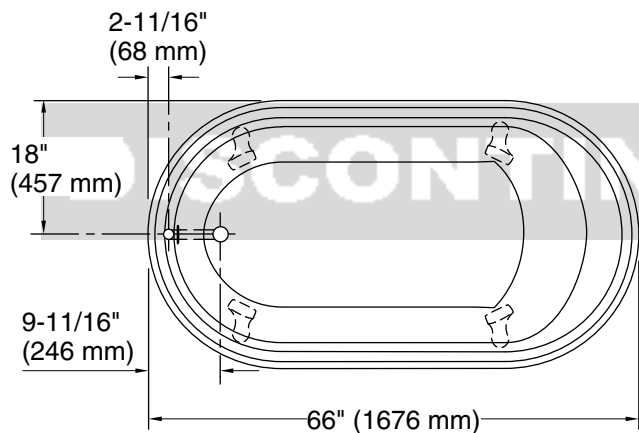
1-800-4KOHLER (1-800-456-4537)

Kohler Co. reserves the right to make revisions without notice to product specifications.

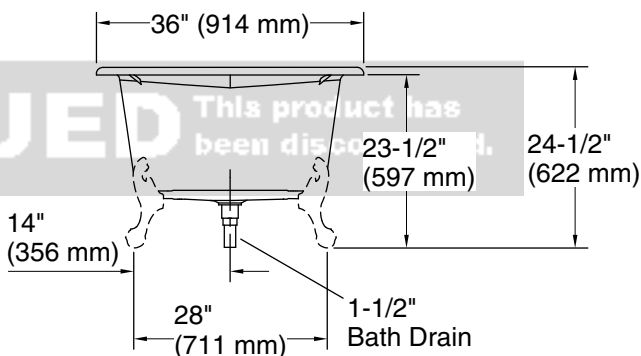
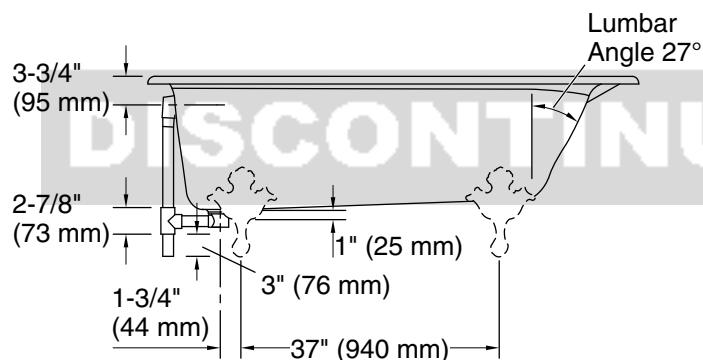
For the most current Specification Sheet, go to [www.kohler.com](http://www.kohler.com) USA or [www.kohler.ca](http://www.kohler.ca) Canada

2-15-2025 00:57 - US/CA

THE BOLD LOOK  
OF **KOHLER**®



No change in measurements if connected with drain illustrated. (K-7178)



### Technical Information

All product dimensions are nominal.

Drain location:	Reversible
Basin area, bottom:	47-1/2" x 25" (1207 mm x 635 mm)
Basin area, top:	55" x 29" (1397 mm x 737 mm)
Weight:	350 lbs (158.8 kg)
Minimum floor load:	57 lbs/ft <sup>2</sup> (278.3 kg/m <sup>2</sup> )
Water depth:	12-5/8" (321 mm)
Water capacity:	64 gal (242.3 L)

### Notes

Measure your actual product for rough-in details.

Install this product according to the installation instructions.

The hot water supply should be 70% of the capacity of the bath or greater. Installations will vary.