



Iron Works®
66" x 36" drop-in bath
K-711

Features

- Oval basin creates a spacious bathing experience
- Integral lumbar support
- Safeguard® slip-resistant surface provides excellent traction underfoot

Material

- KOHLER® enameled cast iron

Installation

- Drop-in

Recommended Products/Accessories

- K-1172 Adjustable feet
- K-1491 Bath/Whirlpool Pillow
- K-1601 Bath/whirlpool footstop, removable
- K-7259 Brass toe tap bath drain
- K-23726 Drain treatment
- K-23725 Cast iron cleaner



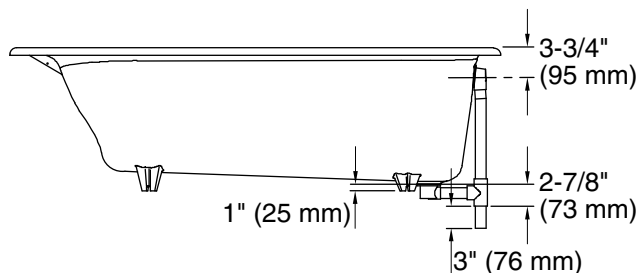
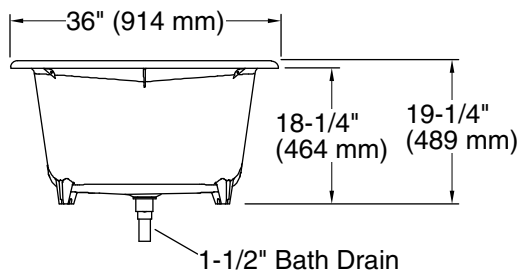
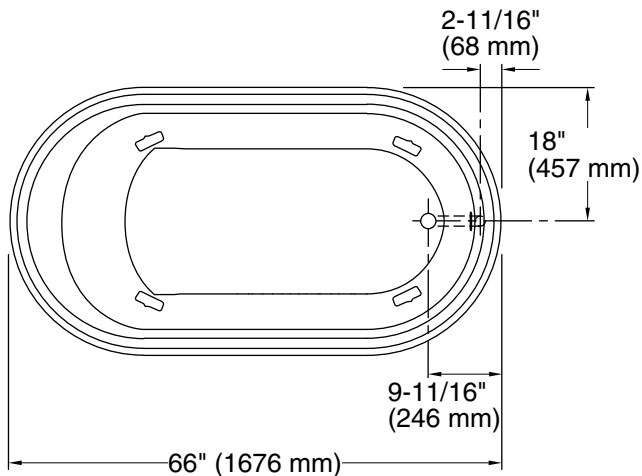
Codes/Standards

- ASME A112.19.1/CSA B45.2
- ASTM F462

**KOHLER® Enameled Cast Iron Bath
and Shower Base Lifetime Limited
Warranty**

See website for detailed warranty information.

No change in measurements if connected with drain illustrated. (K-7103)



Technical Information

All product dimensions are nominal.

Drain location:	Reversible
Basin area, bottom:	47-1/2" x 25" (1207 mm x 635 mm)
Basin area, top:	55" x 29" (1397 mm x 737 mm)
Weight:	375 lbs (170.1 kg)
Minimum floor load:	57 lbs/ft ² (278.3 kg/m ²)
Water depth:	12-5/8" (321 mm)
Water capacity:	64 gal (242.3 L)
Template:	Drop-in, 88051-7, required, included

Notes

Measure your actual product for rough-in details.

Install this product according to the installation instructions.

The hot water supply should be 70% of the capacity of the bath or greater. Installations will vary.