



Clearflo

Retrofit Toe-tap Drain Conversion Kit

K-7143

Features

- Intended to replace existing stopper/drain, flange/toggle linkage
- Toe-tap component installs on most drain bodies with 1-1/2"-11 1/2 NPSM thread
- For KOHLER drains K-7160-AF, K-7160-TF, K-7161-AF, K-7193
- Metal construction

Required Products/Accessories

K-37383 Rough-in cable bath drain, PVC, 30" cable with tubing (Qty 2)

or

K-T37391 Rotary-turn bath drain trim

K-T37392 Rotary-turn bath drain trim

or

K-37383 Rough-in cable bath drain, PVC, 30" cable with tubing

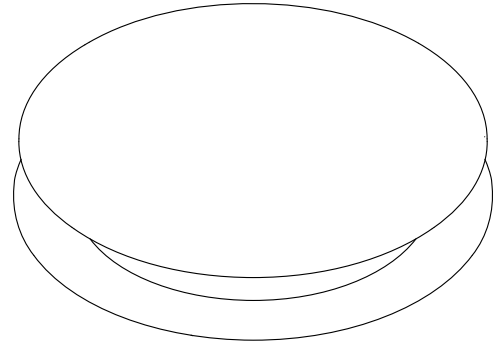
K-78438 30" cable bath drain

Recommended Products/Accessories

K-7193 Bath Drain

K-23726 Drain treatment

K-23723 Faucet cleaner



Codes/Standards

ASME A112.18.2/CSA B125.2


KOHLER® Faucet Lifetime Limited Warranty

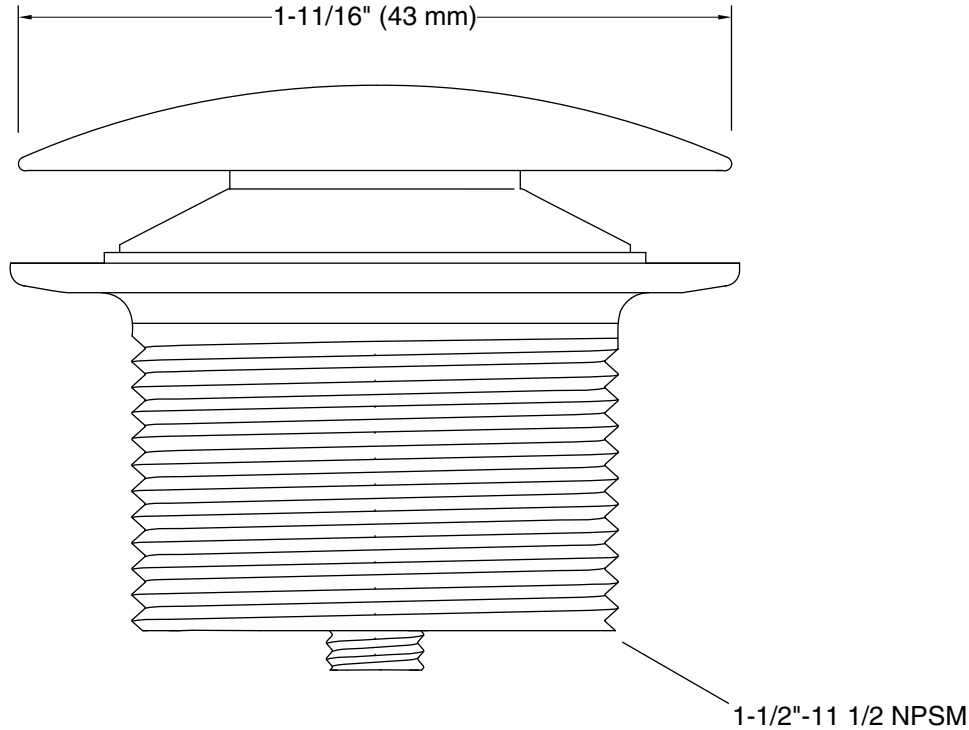
See website for detailed warranty information.

Available Colors/Finishes

Color tiles intended for reference only.

Color	Code	Description
-------	------	-------------

	CP	Polished Chrome
---	----	-----------------



Technical Information

All product dimensions are nominal.

Material: Metal

Notes

Install this product according to the installation instructions.

IMPORTANT! This installation should be performed by a qualified plumber.

IMPORTANT! Provide access to the back of the bath. Removing the existing overflow cover may effect the seal. Inspect the back of the bath for leaks after completing this retrofit installation.

The existing stopper should measure approximately 1-11/16" (43 mm) in diameter or this kit will not fit.