

Features

- 17-gauge brass construction
- Brass tailpiece
- Adjustable trip lever
- Supports both above- and through-the-floor installations
- For use with Iron Works Historic™ baths

Recommended Products/Accessories

- K-23726 Drain treatment
- K-23723 Faucet cleaner



Codes/Standards










ASME A112.18.2/CSA B125.2
IAPMO Certification

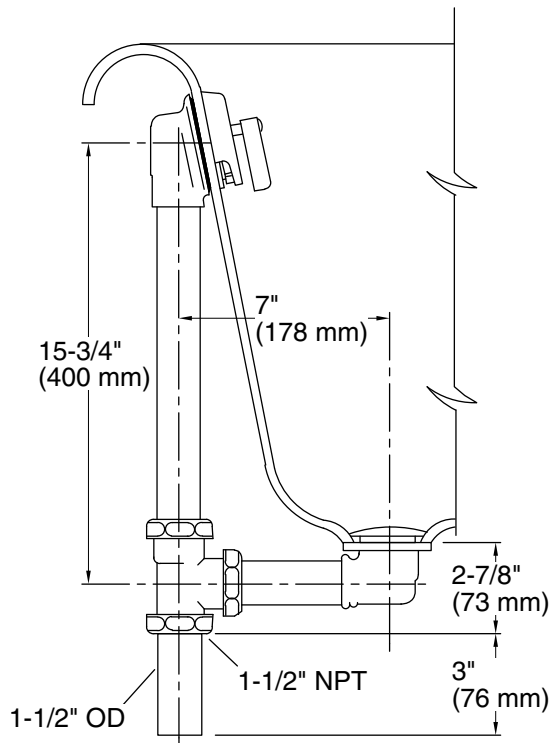
KOHLER® One-Year Limited Warranty

See website for detailed warranty information.

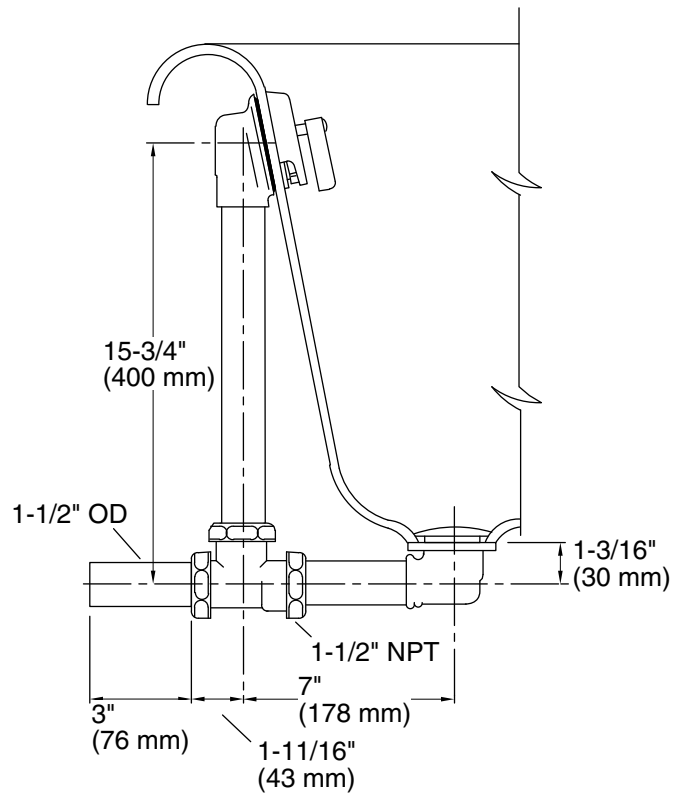
Available Colors/Finishes

Color tiles intended for reference only.

Color	Code	Description
	CP	Polished Chrome
	SN	Vibrant® Polished Nickel
	AF	Vibrant® French Gold
	BN	Vibrant® Brushed Nickel
	BV	Vibrant® Brushed Bronze
	BKB	Brushed Black
	BL	Matte Black
	2MB	Vibrant® Brushed Moderne Brass
	TT	Vibrant Titanium



Through-the-Floor



Above-the-Floor

Technical Information

All product dimensions are nominal.

Drain included: Yes

Notes

Install this product according to the installation guide.