

Features

- Voice control allows hands-free activation to turn the faucet on or off, pour specific amounts and fill preset measurements.*
- KOHLER Konnect® pairs with Amazon Alexa and Google Home**
- Innovative sensor monitors water usage and displays that information on the KOHLER Konnect® app
- Notification can be sent to your mobile device when unusual flow of water is detected.***
- Touchless on/off with a wave of your hand or an object such as a pan
- Response® technology uses a state-of-the-art motion sensor for reliable touchless activation
- LED light indicates Response® is ready to use
- AC-powered operation—no batteries to replace (requires nonswitched undercounter outlet)
- 2.4 GHz password-protected Wi-Fi connection is required
- Two-function pull-down sprayhead allows you to switch from aerated stream to Sweep® spray
- Sweep® spray features specially angled nozzles that form a wide, powerful blade of water to sweep your dishes and sink clean
- DockNetik® secure docking system locks sprayhead into place when not in use
- ProMotion® technology's light, quiet braided hose and swiveling ball joint make the pull-down sprayhead easier and more comfortable to use
- MasterClean™ sprayface features an easy-to-clean surface that withstands mineral buildup and maximizes spray performance
- High-arch spout offers vertical clearance for tall cookware and pitchers
- Single lever handle is simple to use and makes adjusting water temperature easy
- Temperature memory allows faucet to be turned on and off at the temperature set during prior usage
- KOHLER® ceramic disc valves exceed industry longevity standards for a lifetime of durable performance
- 1.5 gpm (5.7 lpm) maximum flow rate at 60 psi (4.14 bar)

Installation

- Single-hole installation
- Flexible supply lines simplify installation
- Three-hole escutcheon plate available (service part number 1209172-CP or 1209172-VS)
- *When dispensing measured amounts, minimum of 8 oz. is



ADA

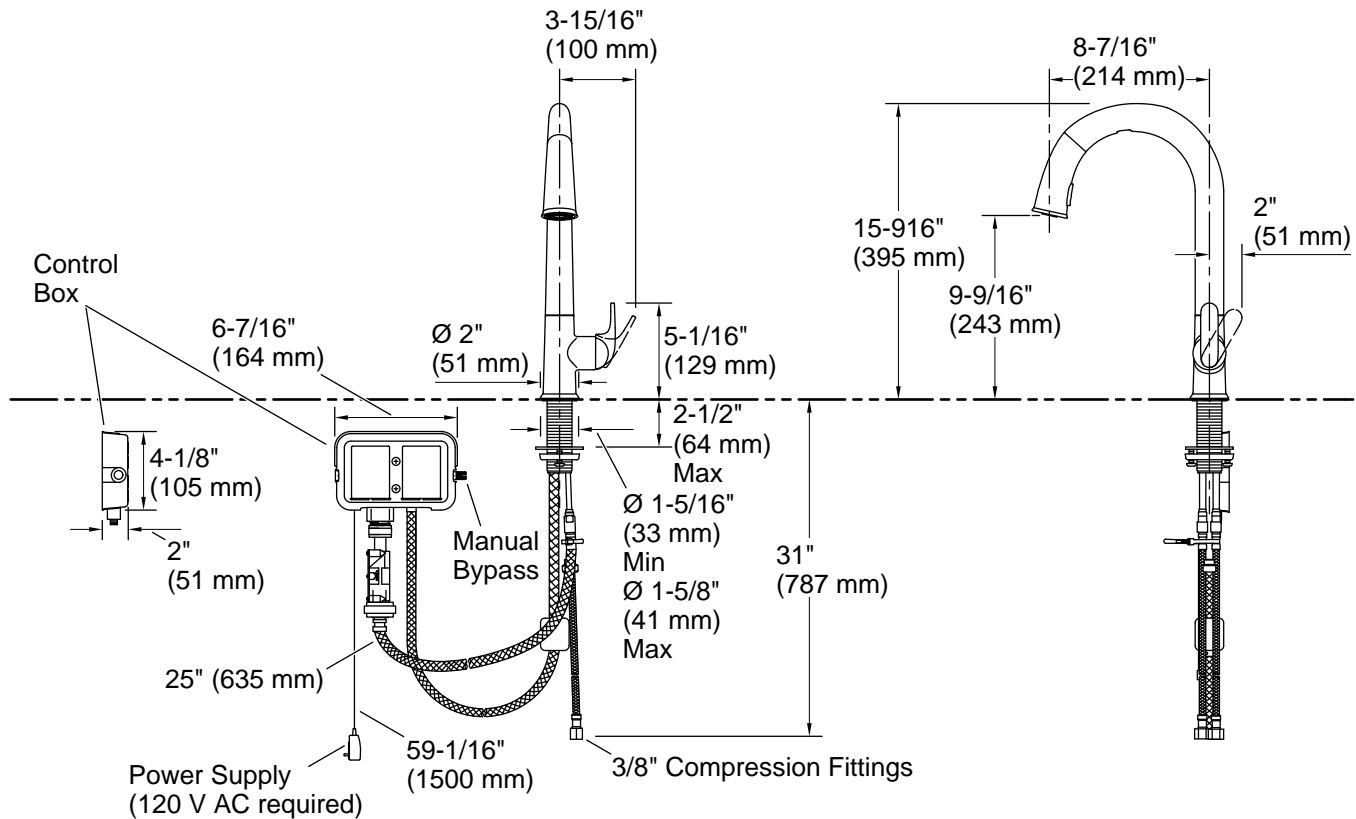
CSA B651

Codes/Standards

ASME A112.18.1/CSA B125.1
NSF/ANSI/CAN 61
NSF/ANSI/CAN 372
All applicable US Federal and State material regulations
DOE - Energy Policy Act 1992
California Energy Commission (CEC)
ADA
ICC/ANSI A117.1
CSA B651
IAPMO Certification

**KOHLER® Electronic Faucets,
Valves, and Controls Five-Year
Limited Warranty KOHLER® Faucet
Lifetime Limited Warranty**

See website for detailed warranty information.



Required Electrical Service

One dedicated circuit required, protected with Class A Ground-Fault Circuit-Interrupter (GFCI). Outside North America, this device may be known as a Residual Current Device (RCD).
 120 V, 15 A, 60 Hz

Technical Information

All product dimensions are nominal.

Power source: Plug - AC, included

Faucet:

Flow rate: 1.5 gal/min (5.7 l/min)

Drain included: No

Spout:

Spout reach: 8-7/16" (214 mm)

Notes

Install this product according to the installation instructions.

REQUIRED: Unswitched power outlet (120 V AC) located below the sink and within 5' (1.5 m) of the control box. (Garbage disposals typically use switched outlets and are not recommended.)

For those without 120 volt, unswitched power below the deck, an optional power supply extension cable may be used to facilitate installation.

ADA complaint for faucet handles only.

ADA compliant for faucet handles only

ADA, CSA B651 compliant when installed to the specific requirements of these regulations.