

Features

- 17-gauge brass construction
- Brass tailpiece
- Adjustable trip lever
- 1-1/2" (38 mm) connection
- For above- or through-the-floor installations
- For use with K-1166 sok[®] bath

Recommended Products/Accessories

K-23726 Drain treatment
K-23723 Faucet cleaner



Codes/Standards




ASME A112.18.2/CSA B125.2
IAPMO Certification

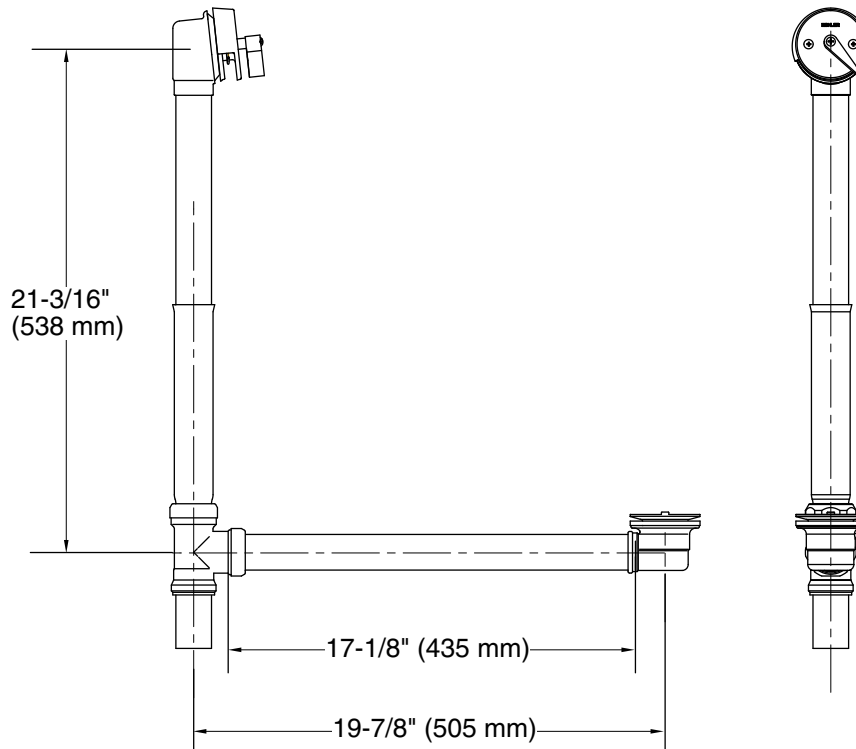
KOHLER[®] One-Year Limited Warranty

See website for detailed warranty information.

Available Colors/Finishes

Color tiles intended for reference only.

Color	Code	Description
	CP	Polished Chrome
	SN	Vibrant [®] Polished Nickel
	BN	Vibrant [®] Brushed Nickel



Technical Information

All product dimensions are nominal.

Drain included: Yes

Handshower:

Rated maximum flow: 0 gal/min (0 l/min)

Notes

Install this product according to the installation guide.