

Features

- Metal construction
- KOHLER® ceramic disc valves exceed industry longevity standards for a lifetime of durable performance
- Lever handle
- Coin aerator is easy to remove for maintenance
- Includes flexible G 1/2 supply hoses for easy installation
- Includes drain

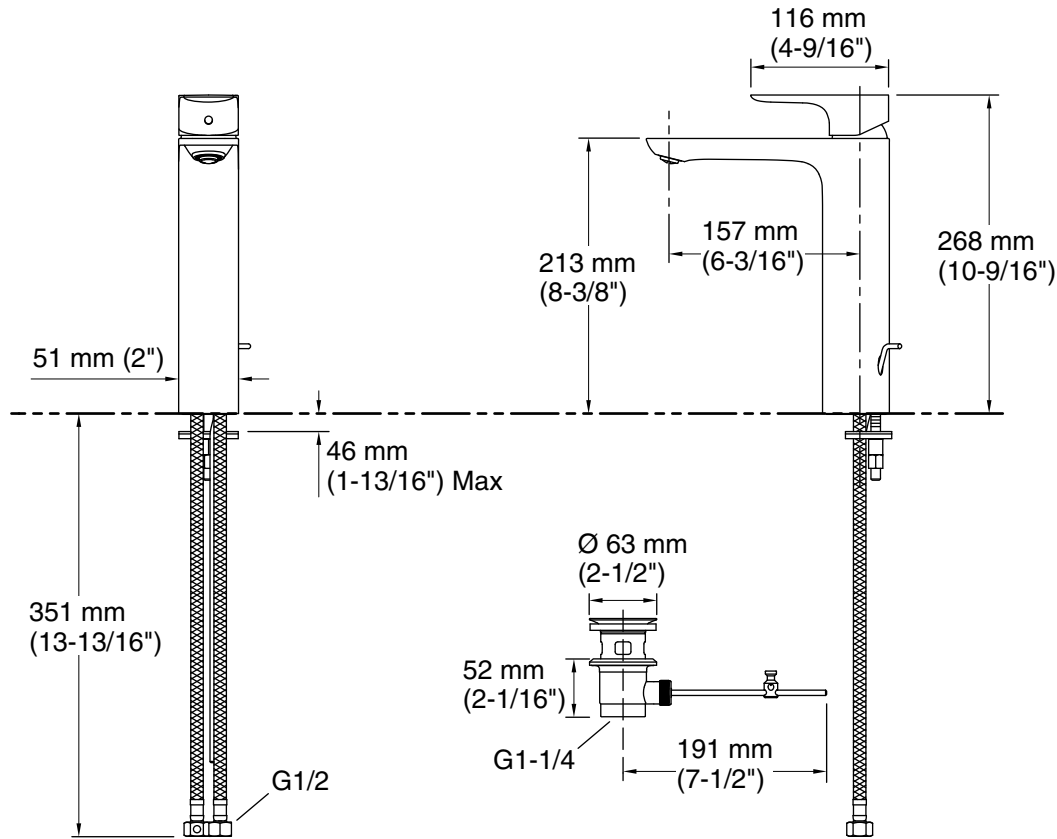
Material

- KOHLER® finishes resist corrosion and tarnishing



Codes and Standards vary by country.
Consult your Kohler representative for detailed information.

Warranty varies by country. See country website for detailed warranty information.



Technical Information

All product dimensions are nominal.

Faucet:

Flow rate: 2.37 gal/min (9 l/min)

Notes

Install this product according to the installation instructions.