

Features

- 6 hydromassage jets can be individually adjusted for water flow and direction
- Variable-speed pump for adjusting hydromassage intensity
- Lighted keypad control
- Integral apron
- Integral lumbar support
- Safeguard® slip-resistant surface provides excellent traction underfoot
- Coordinates with other products in the Memoirs collection
- Remote control

Material

- KOHLER® enameled cast iron

Hydrotherapy

- Built-in 1500W heater
- Whirlpool

Installation

- Integral flange
- Left drain
- Alcove

Required Products/Accessories

- K-T37391 Rotary-turn bath drain trim
- K-T37392 Rotary-turn bath drain trim

or

- K-37385 rough-in cable drain, PVC, 45" cable
- K-78439 45" cable bath drain

Recommended Products/Accessories

- K-1491 Bath/Whirlpool Pillow
- K-1601 Bath/whirlpool footstop, removable
- K-7259 Brass toe tap bath drain
- K-23725 Cast iron cleaner
- K-23726 Drain treatment



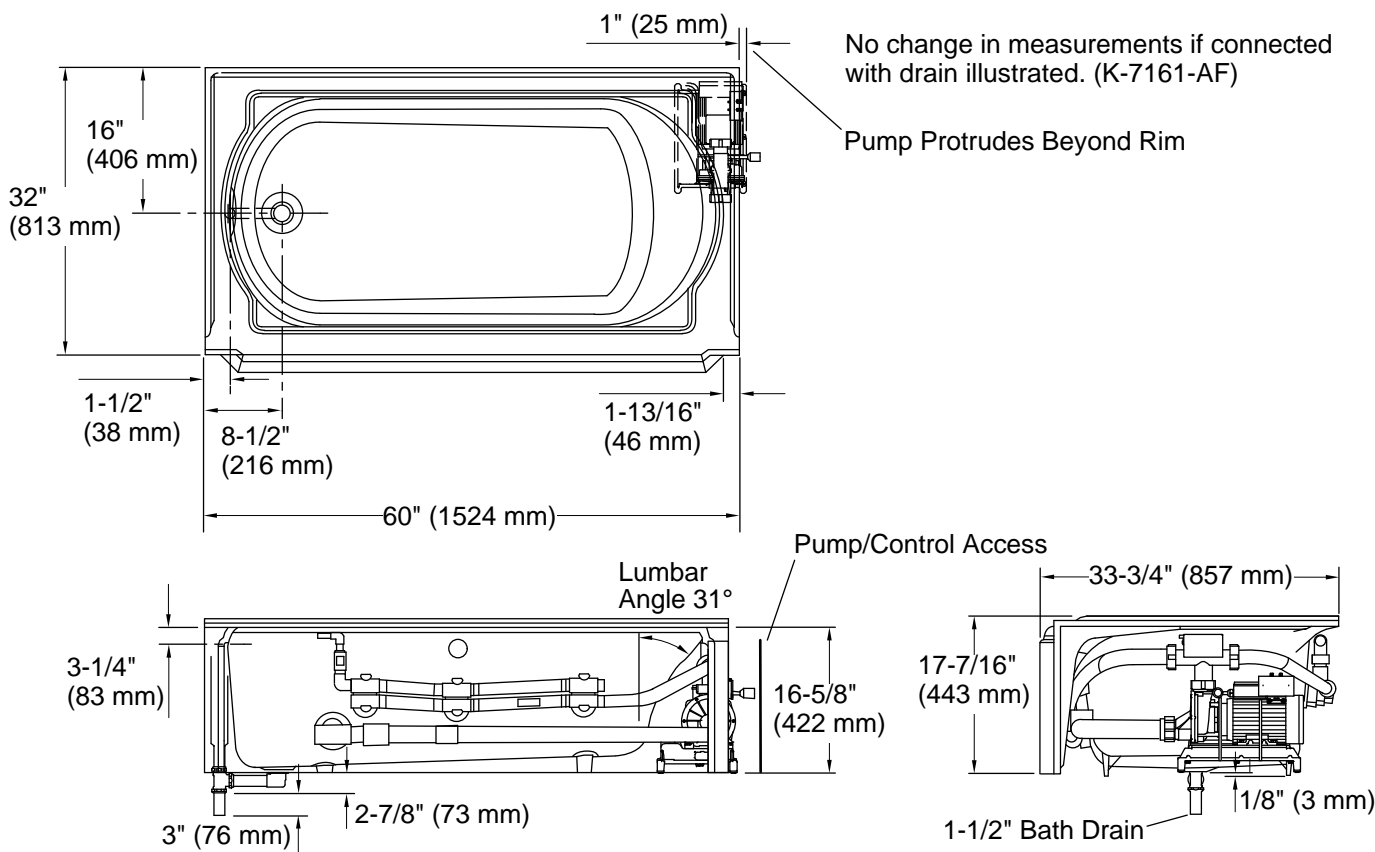
ADA

Codes/Standards

ASME A112.19.1/CSA B45.2
ASME A112.19.7/CSA B45.10
ASTM F462
UL 1795
CSA C22.2 No. 218.2
ADA
ICC/ANSI A117.1
IAPMO Certification
cUL Listed
UL Listed

KOHLER® Enameled Cast Iron Bath and Shower Base Lifetime Limited Warranty
KOHLER® Hydrotherapy Components Five-Year Limited Warranty

See website for detailed warranty information.



Required Electrical Service

One dedicated circuit required, protected with Class A Ground-Fault Circuit-Interrupter (GFCI). Outside North America, this device may be known as a Residual Current Device (RCD).

Pump, Heater: 240 V, 20 A, 50/60 Hz

Technical Information

All product dimensions are nominal.

Drain location: Left

Basin area, bottom: 45" x 23" (1143 mm x 584 mm)

Basin area, top: 54" x 25" (1372 mm x 635 mm)

Weight: 390 lbs (176.9 kg)

Minimum floor load: 61 lbs/ft² (297.8 kg/m²)

Water depth: 11-5/8" (295 mm)

Water capacity: 52 gal (196.8 L)

Electrical component rating: Pump: 240 V, 11 A
Heater: 240 V, 6 A, 1500 W

Pump speed: Variable

Notes

Measure your actual product for rough-in details.

Install this product according to the installation instructions.

The hot water supply should be 70% of the capacity of the bath or greater. Installations will vary.

ADA compliant when installed to the specific requirements of these regulations.