

## Features

- 43 airjets release thousands of bubbles that surround, support, and massage the body
- Variable-speed blower lets you adjust massage intensity to 18 levels
- Zones of Control™ feature allows you to target massage to back, midsection, or feet
- Lighted keypad control
- Integral apron
- Safeguard® slip-resistant surface provides excellent traction underfoot
- Automatic and manual purge cycles remove residual water from air channels after use
- Coordinates with other products in the Memoirs collection
- Lighted keypad control
- Integral lumbar support
- Includes jet trim in Polished Chrome

## Material

- KOHLER® enameled cast iron

## Hydrotherapy

- BubbleMassage™
- Built-in 300W heater

## Installation

- Right drain
- Alcove
- Integral flange

## Required Products/Accessories

K-T37391 Rotary-turn bath drain trim  
K-T37392 Rotary-turn bath drain trim

or

K-37385 rough-in cable drain, PVC, 45" cable  
K-78439 45" cable bath drain

## Recommended Products/Accessories

K-1491 Bath/Whirlpool Pillow  
K-1601 Bath/whirlpool footstop, removable  
K-7259 Brass toe tap bath drain  
K-706000-D3 Frameless Sliding Bath Door  
K-706000-L 62" H sliding bath door with 1/4"-thick glass  
K-706004-D3 Frameless Sliding Bath Door  
K-706004-L Frameless Sliding Bath Door  
K-23726 Drain treatment  
K-23725 Cast iron cleaner  
K-31796 Above-the-floor bath drain kit  
K-31798 Bath drain kit



**ADA**

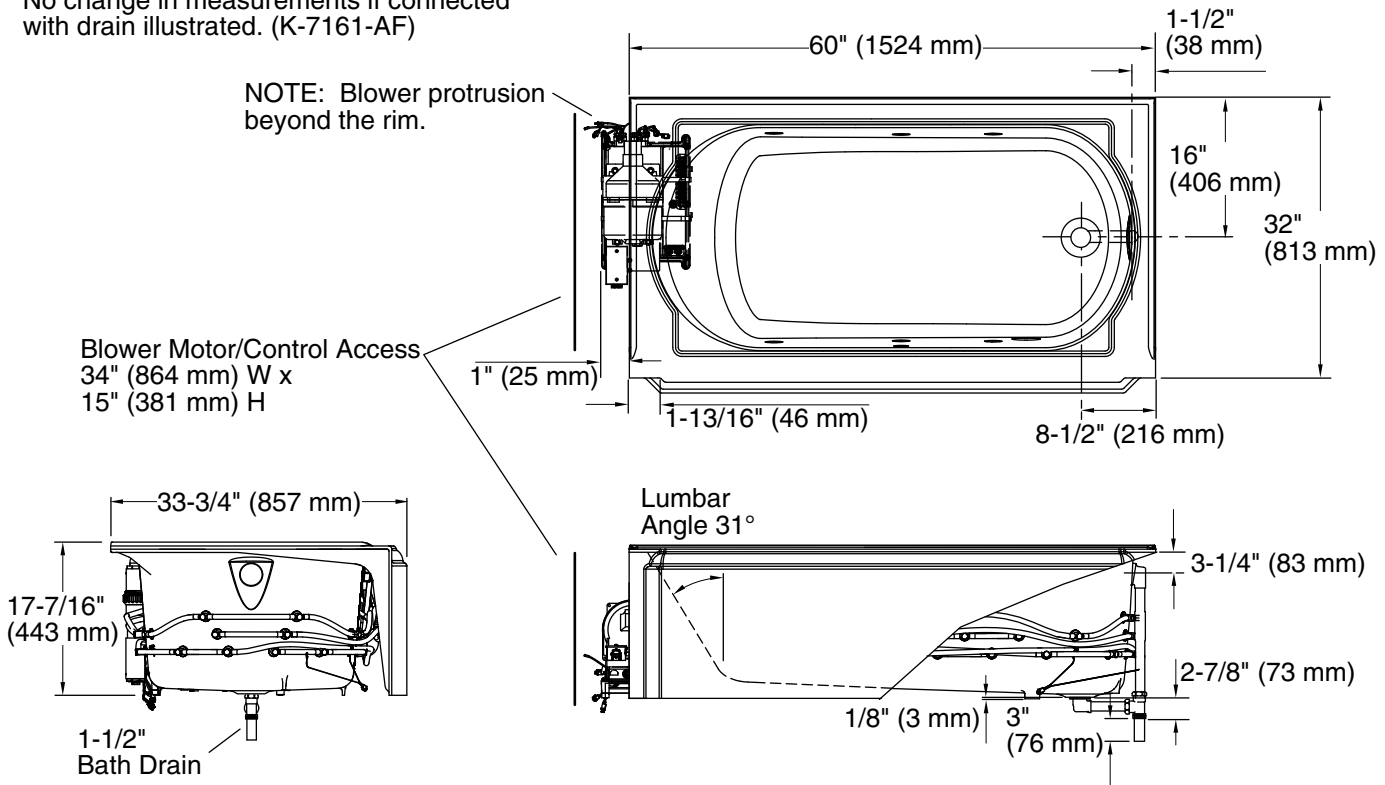
## Codes/Standards

ASME A112.19.1/CSA B45.2  
ASME A112.19.7/CSA B45.10  
ASTM F462  
UL 1795  
CSA C22.2 No. 218.2  
ADA  
ICC/ANSI A117.1  
IAPMO Certification  
cUL Listed  
UL Listed

**KOHLER® Enameled Cast Iron Bath and Shower Base Lifetime Limited Warranty**  
**KOHLER® Hydrotherapy Components Five-Year Limited Warranty**

See website for detailed warranty information.

No change in measurements if connected with drain illustrated. (K-7161-AF)



### Required Electrical Service

One dedicated circuit required, protected with Class A Ground-Fault Circuit-Interrupter (GFCI). Outside North America, this device may be known as a Residual Current Device (RCD).

Blower: 240 V, 15 A, 50/60 Hz

### Technical Information

All product dimensions are nominal.

Drain location: Right

Basin area, bottom: 45" x 23" (1143 mm x 584 mm)

Basin area, top: 54" x 25" (1372 mm x 635 mm)

Weight: 390 lbs (176.9 kg)

Minimum floor load: 61 lbs/ft<sup>2</sup> (297.8 kg/m<sup>2</sup>)

Water depth: 11-5/8" (295 mm)

Water capacity: 52 gal (196.8 L)

Electrical component rating: Blower: 240 V, 5 A, 50/60 Hz

Blower speed: Variable

Minimum flat for door: 2-7/16" (62 mm)

### Notes

Measure your actual product for rough-in details.

Install this product according to the installation instructions.

The hot water supply should be 70% of the capacity of the bath or greater. Installations will vary.

If relocating the blower motor, do not relocate or alter the PVC tee or coiled flexible tubing connected to the blower. Follow the blower relocation instructions exactly. Provide access for servicing the blower.

ADA compliant when installed to the specific requirements of these regulations.