

Features

- Metal pop-up drain with tailpiece
- 5-3/8" (137 mm) spout reach
- Includes stationary spout with aerator and pop-up drain with 1-1/4" tailpiece
- Handles sold separately
- Laminar flow
- 1.2 gpm (4.5 lpm) maximum flow rate
- Coordinate with your choice of Artifacts handles for a personalized design
- This product can help a building earn Water Efficiency points in LEED® Green Building Rating System

Material

- Brass
- KOHLER® finishes resist corrosion and tarnishing

Installation

- Widespread

Required Products/Accessories

K-98068-4 Lever bathroom sink faucet handles

or

K-98068-3 Cross bathroom sink faucet handles

Recommended Products/Accessories

K-23726 Drain treatment
K-23723 Faucet cleaner
K-72567 18" Towel Bar
K-72568 24" Towel Bar
K-72570 24" Double Towel Bar
K-72571 Towel Ring
K-72572 Robe Hook
K-72573 Pivoting toilet paper holder
K-72576 Toilet paper carriage



Codes/Standards

ASME A112.18.1/CSA B125.1

NSF/ANSI/CAN 61

NSF/ANSI/CAN 372

All applicable US Federal and State material regulations

DOE - Energy Policy Act 1992

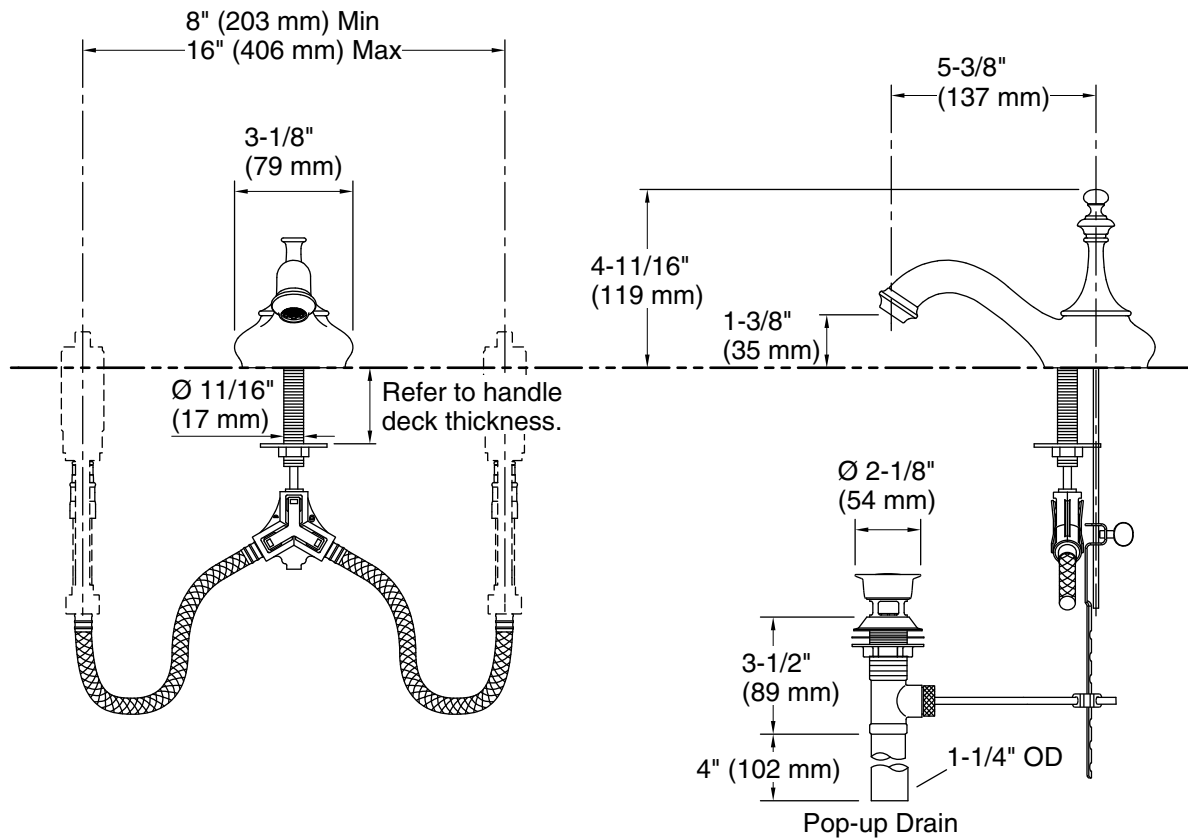
EPA WaterSense®

California Energy Commission (CEC)

IAPMO Certification

KOHLER® Faucet Lifetime Limited Warranty

See website for detailed warranty information.



Technical Information

All product dimensions are nominal.

Faucet:

Flow rate: 1.2 gal/min (4.5 l/min)

Drain included: Yes

Spout:

Spout reach: 5-3/8" (137 mm)

Handshower:

Rated maximum flow: 0 gal/min (0 l/min)

Notes

Install this product according to the installation guide.