

## Features

- Wristblade Lever handles
- Valvet® valves
- Intended for shelf-back installations
- 3-3/8 (86 mm) gooseneck spout reach
- Stationary spout
- Less drain
- 2.2 gpm (8.3 lpm) maximum flow rate at 60 psi (4.14 bar)

## Material

- Brass
- Brass valve bodies

## Installation

- For 5-1/2" (140 mm) centers

## Recommended Products/Accessories

- K-23726 Drain treatment
- K-23723 Faucet cleaner



ADA

CSA B651

OBC

## Codes/Standards

NSF/ANSI/CAN 61

NSF/ANSI/CAN 372

All applicable US Federal and State material regulations

DOE - Energy Policy Act 1992

California Energy Commission (CEC)

ADA

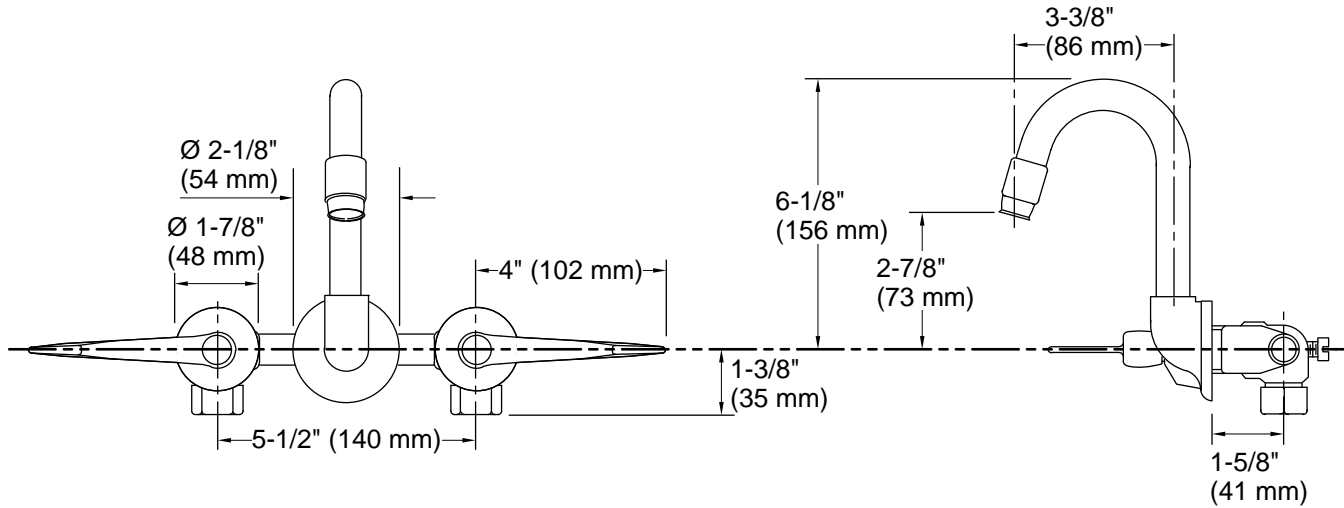
ICC/ANSI A117.1

CSA B651

OBC

## KOHLER® Faucet Lifetime Limited Warranty

See website for detailed warranty information.



## Technical Information

All product dimensions are nominal.

### Faucet:

Flow rate: 2.5 gal/min (9.5 l/min)

Drain included: No

### Spout:

Spout reach: 3-3/8" (86 mm)

## Notes

Install this product according to the installation guide.

ADA, OBC, CSA B651 compliant when installed to the specific requirements of these regulations.