

Features

- Quarter-turn washerless ceramic disc valves
- 8" (203 mm) rigid connections
- Variety of handle style options
- 5-1/4" (133 mm) gooseneck spout
- Less drain
- Rosespray
- 2.0 gpm (7.6 lpm) maximum flow rate at 60 psi (4.14 bar)

Material

- Brass
- Brass valve bodies

Required Products/Accessories

[K-16012-3](#) Cross Handles for Widespread Base Faucet

Recommended Products/Accessories

K-23723 Faucet cleaner



Codes/Standards

ASME A112.18.1/CSA B125.1

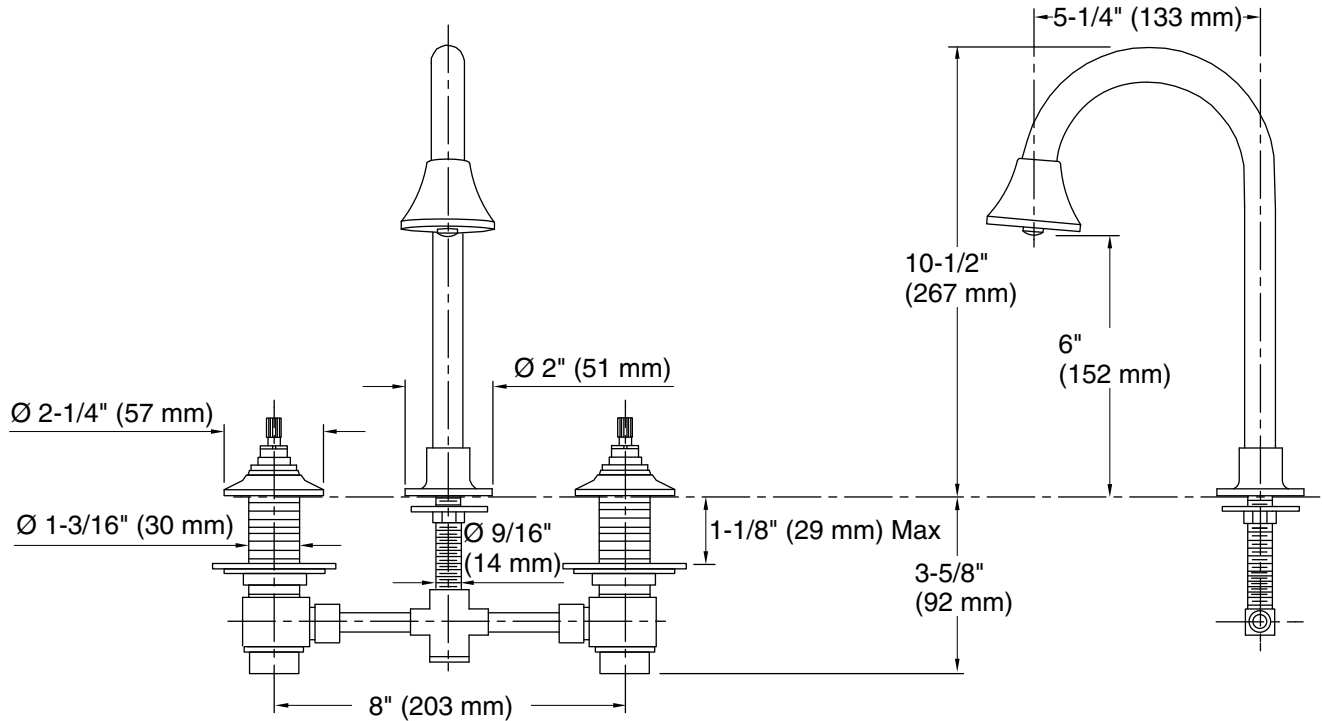
NSF/ANSI/CAN 61

NSF/ANSI/CAN 372

DOE - Energy Policy Act 1992

KOHLER® Faucet Lifetime Limited Warranty

See website for detailed warranty information.



Technical Information

All product dimensions are nominal.

Faucet flow rate: 2.2 gal/min (8.3 l/min)

Drain included: No

Spout:

Spout reach: $5\text{-}1/4\text{'}$ (133 mm)

Notes

Install this product according to the installation instructions.