

## Features

- Quarter-turn washerless ceramic disc valves
- 8" (203 mm) rigid connections
- Variety of handle style options
- 5-1/4" (133 mm) gooseneck spout
- Less drain
- Standard aerator
- 2.0 gpm (7.6 lpm) maximum flow rate at 60 psi (4.14 bar)

## Material

- Brass
- Brass valve bodies

## Required Products/Accessories

[K-16012-3](#) Cross Handles for Widespread Base Faucet

## Recommended Products/Accessories

K-23723 Faucet cleaner

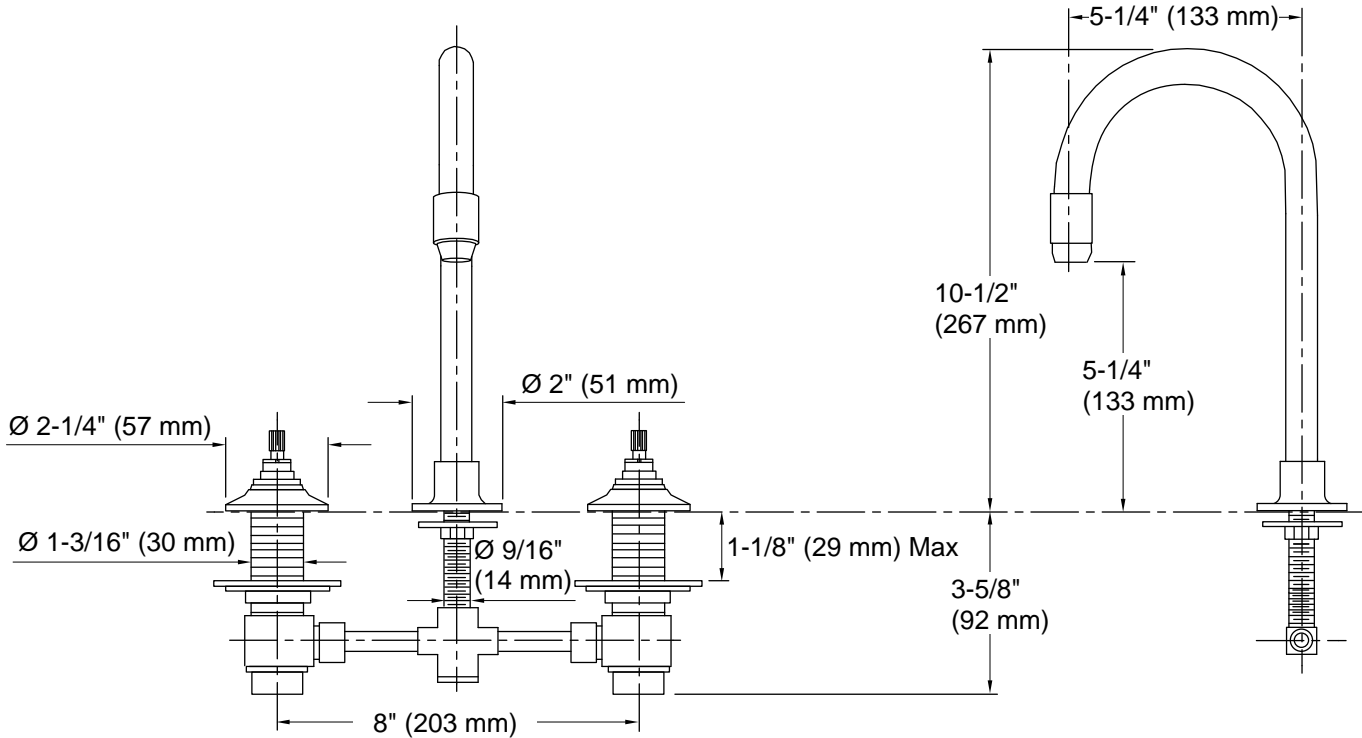


## Codes/Standards

ASME A112.18.1/CSA B125.1  
NSF/ANSI/CAN 61  
NSF/ANSI/CAN 372  
All applicable US Federal and State material regulations  
DOE - Energy Policy Act 1992  
IAPMO Certification

## KOHLER® Faucet Lifetime Limited Warranty

See website for detailed warranty information.



### Technical Information

All product dimensions are nominal.

#### Faucet:

Flow rate: 2.2 gal/min (8.3 l/min)

Drain included: No

#### Spout:

Spout reach: 5-1/4" (133 mm)

### Notes

Install this product according to the installation guide.