

### Features

- Two cross handles offer separate control of hot and cold water
- Nondiverter spout
- 8-1/4" (210 mm) spout reach
- 12 gpm (45.4 lpm) maximum flow rate at 45 psi (3.1 bar)
- KOHLER® ceramic disc valves exceed industry longevity standards for a lifetime of durable performance
- Coordinates with Composed faucets, accessories, and showering components to complete your bathroom

### Material

- Premium metal construction for durability and reliability
- KOHLER® finishes resist corrosion and tarnishing

### Installation

- Deck-mount

### Recommended Products/Accessories

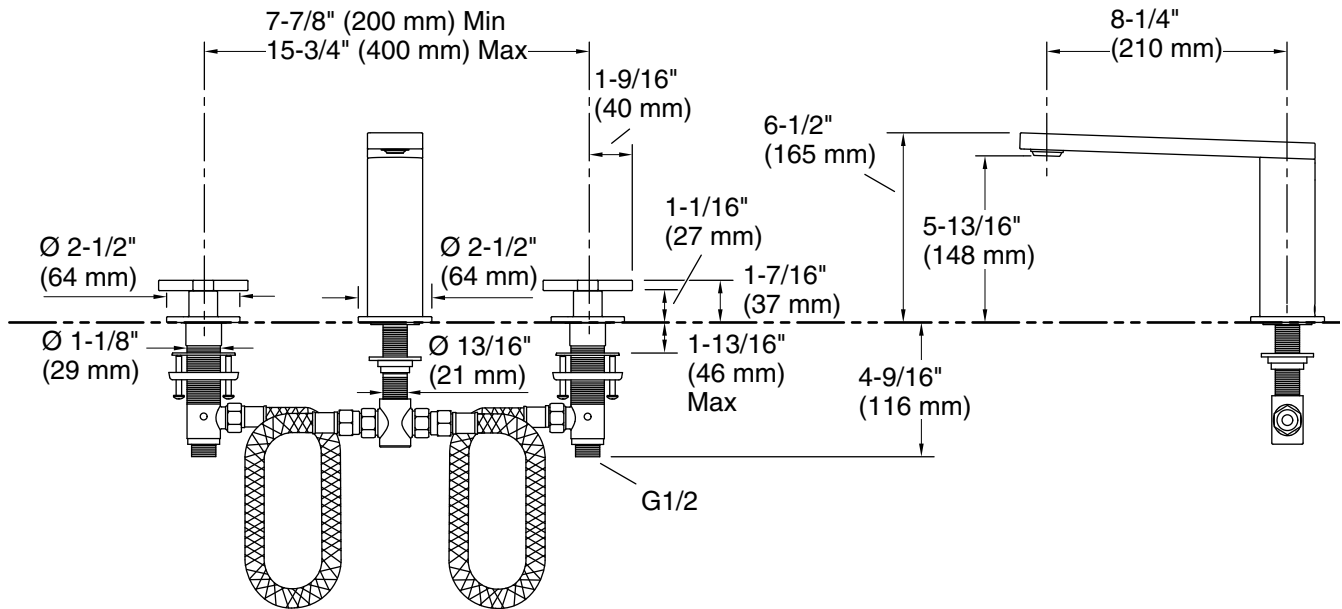
- K-23723 Faucet cleaner
- K-73141 18" Towel Bar
- K-73142 24" Towel Bar
- K-73144 24" Double Towel Bar
- K-73145 towel arm
- K-73146 Double Robe Hook
- K-73147 Pivoting toilet paper holder
- K-73148 Vertical toilet paper holder



### Codes/Standards

Plumbing Standards  
GB 18145

See website for detailed warranty information.



### Technical Information

All product dimensions are nominal.

#### Faucet:

Flow rate: 12 gal/min (45.4 l/min)

Drain included: No

#### Spout:

Spout reach: 8-1/4" (210 mm)

### Notes

Install this product according to the installation instructions.